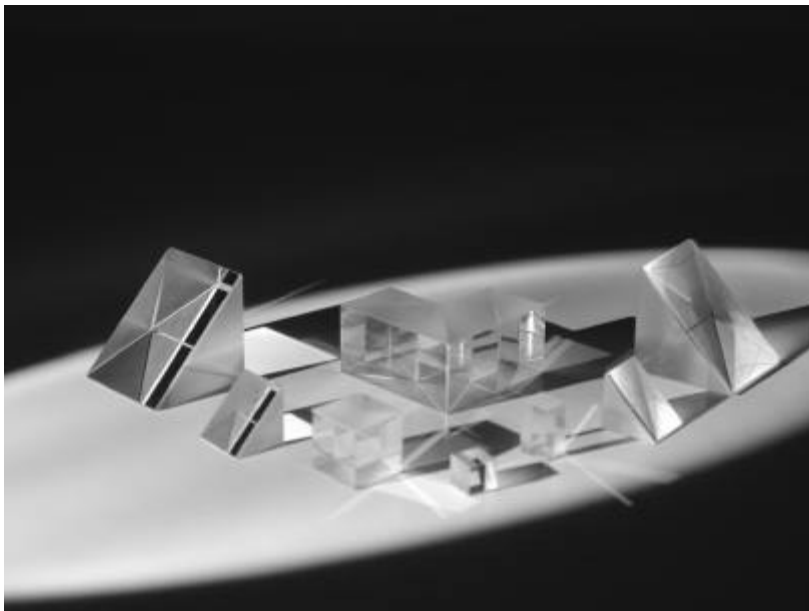


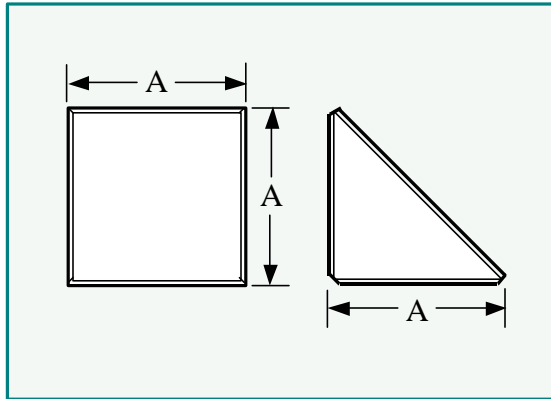
Lattice Electro Optics offers a wide range of prisms in different materials including BK7, fused silica, F2 and SF11. Our right angle prism, for example, comes with BK7 and UV grade fused silica

Please consult with our seasoned application engineers for selection of prisms. Custom designs are available on demanding applications and small sized prisms, which are used in Telecommunication industries, are also available from stock.

Table of Contents

Precision Right Angle Prisms (RP)	46
Precision Bending Prisms (BRP)	47
Precision Folding Prisms (FRP)	47
Brewster’s Dispensing Prisms (BP)	48
Equilateral Dispensing Prisms (EP)	48
Dove Prisms (DP)	49
Littrow Prisms (LP)	49
Pellin Broca Prisms (PP)	50
Porro Prisms (POP)	50
Precision Penta Prisms (PNP)	51
Precision Solid Glass Retroreflectors (SR)	51
Anamorphic Prisms (AP)	52

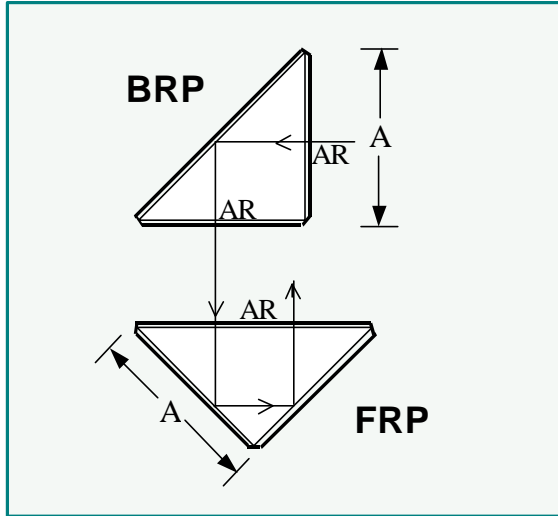




Specifications

Dimensional Tolerance:	+0/-0.010"
Angular Tolerance:	< 3 arc min.
Clear Aperture:	> 80% of central dimension
Chamfer:	0.3mm × 45°

Part No	Material	Size (A)	Surface Figure	Surface Quality
B-RP-02	BK7	5mm	λ/10	10-5
B-RP-03	BK7	0.25"	λ/10	10-5
B-RP-04	BK7	10mm	λ/8	10-5
B-RP-05	BK7	0.50"	λ/8	10-5
B-RP-08	BK7	20mm	λ/8	10-5
B-RP-10	BK7	1.00"	λ/8	10-5
B-RP-15	BK7	1.50"	λ/4	20-10
B-RP-20	BK7	2.00"	λ/4	20-10
B-RP-24	BK7	60mm	λ/4	20-10
UF-RP-04	UV Fused Silica	10mm	λ/10	10-5
UF-RP-05	UV Fused Silica	0.50"	λ/10	10-5
UF-RP-08	UV Fused Silica	20mm	λ/10	10-5
UF-RP-10	UV Fused Silica	1.00"	λ/10	10-5
UF-RP-15	UV Fused Silica	1.50"	λ/10	10-5
UF-RP-20	UV Fused Silica	2.00"	λ/10	10-5

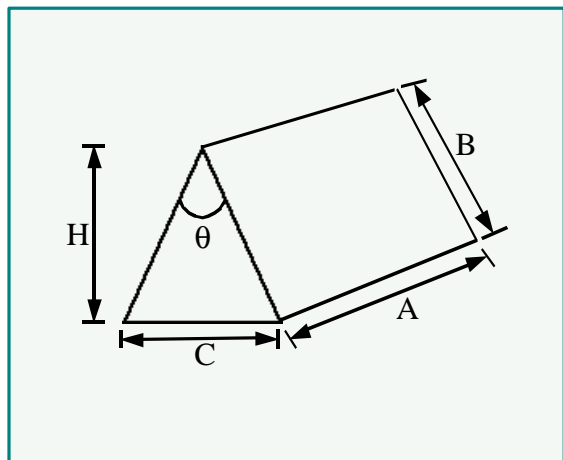


Specifications

Dimensional Tolerance:	+0/-0.010"
Angular Tolerance:	< 3 arc min.
Clear Aperture:	> 80% of central dimension
Chamfer:	0.3mm × 45°

Part No	Material	Size (A)	Surface Figure	Surface Quality
B-BRP-05-AR*	BK7	0.50"	λ/10	20-10
B-BRP-10-AR	BK7	1.00"	λ/10	20-10
UF-BRP-05-AR	UV Fused Silica	0.50"	λ/10	20-10
UF-BRP-10-AR	UV Fused Silica	1.00"	λ/10	20-10
B-FRP-05-AR	BK7	0.50"	λ/10	20-10
B-FRP-10-AR	BK7	1.00"	λ/10	20-10
UF-FRP-05-AR	UV Fused Silica	0.50"	λ/10	20-10
UF-FRP-10-AR	UV Fused Silica	1.00"	λ/10	20-10

* Please specify AR coating's wavelength when ordering.
 Also, aluminized BRP(Al coating on hypotenuse) is available upon request.

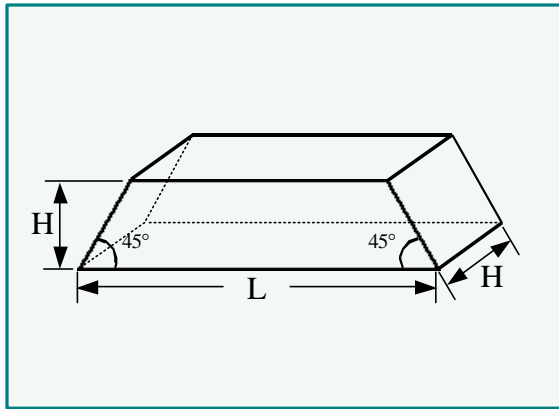


Specifications

Dimensional Tolerance:	+0/-0.010"
Angular Tolerance:	< 3 arc min.
Clear Aperture:	> 85% of central dimension
Chamfer:	0.3mm × 45°

Part No	Material	A	B	Brewster's Angle (q)
UF-BP-05	UV Fused Silica	12.7mm	12.7mm	69.06°
UF-BP-06	UV Fused Silica	15.0mm	15.0mm	69.06°
SF10-BP-06	SF10	15.0mm	15.0mm	63.00°
SF10-BP-10	SF10	25.0mm	25.0mm	63.00°

Part No.	Material	A=B=C	Apex Angle (q)
B-EP-06	BK7	15.0mm	60°
B-EP-08	BK7	20.0mm	60°
B-EP-10	BK7	25.0mm	60°
B-EP-12	BK7	30.0mm	60°
B-EP-16	BK7	40.0mm	60°
B-EP-24	BK7	60.0mm	60°
F2-EP-12	F2	30.0mm	60°
F2-EP-24	F2	60.0mm	60°
SF10-EP-12	SF10	30.0mm	60°
SF10-EP-24	SF10	60.0mm	60°



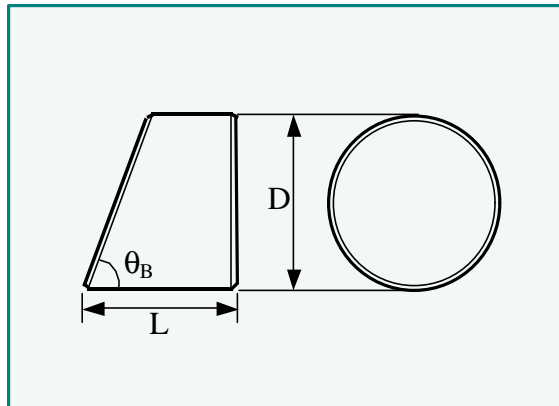
Specifications

Dimensional Tolerance:	+0/-0.010"
Angular Tolerance:	< 3 arc min.
Clear Aperture:	> 85% of central dimension
Chamfer:	0.3mm × 45°
Surface Figure:	λ/4 at 632.8nm
Surface Quality:	20-10 scratch-dig

AR coating is available on both entrance/exit surfaces

Part No.	Material	L	H
B-DP-02	BK7	21.1mm	5mm
B-DP-04	BK7	42.3mm	10mm
B-DP-06	BK7	63.4mm	15mm
B-DP-08	BK7	80.0mm	20mm

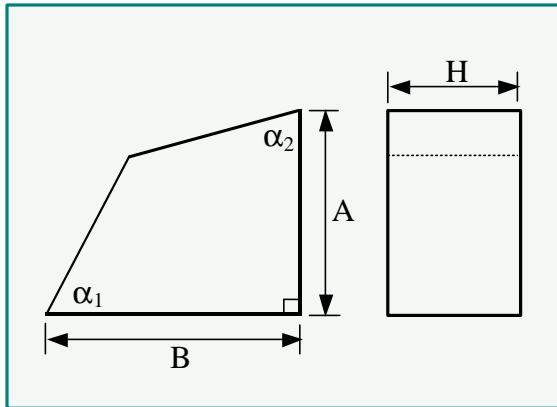
Littrow Prisms



Specifications

Dimensional Tolerance:	+0/-0.010"
Angular Tolerance:	< 10 arc min.
Clear Aperture:	> 85% of central dimension
Chamfer:	0.3mm × 45°
Surface Figure:	λ/10 at 632.8nm
Surface Quality:	10-5 scratch-dig

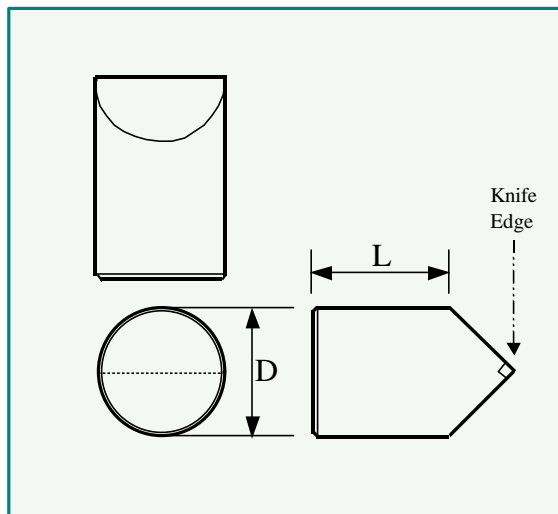
Part No.	Material	Diameter (D)	Length (L)	Brewster's Angle (θ_B)
UF-LP-05	UV Fused Silica	0.50"	0.50"	55.53°
UF-LP-10	UV Fused Silica	1.00"	1.00"	55.53°



Specifications

Dimensional Tolerance:	+0/-0.010"
Clear Aperture:	> 85% of central dimension
Chamfer:	0.3mm × 45°
Surface Figure:	λ/10 at 632.8nm
Surface Quality:	10-5 scratch-dig

Part No.	Material	A	B	H	α_1	α_2
S1-PP-05	Schlieren Fused Silica	23.5mm	40.0mm	12.7mm	60°	79.5°
UF-PP-05	UV Fused Silica	23.5mm	40.0mm	12.7mm	60°	79.5°
UF-PP-03	UV Fused Silica	11.0mm	20.0mm	6.4mm	60°	79.5°
B-PP-05	BK7	23.5mm	40.0mm	12.7mm	60°	79.5°

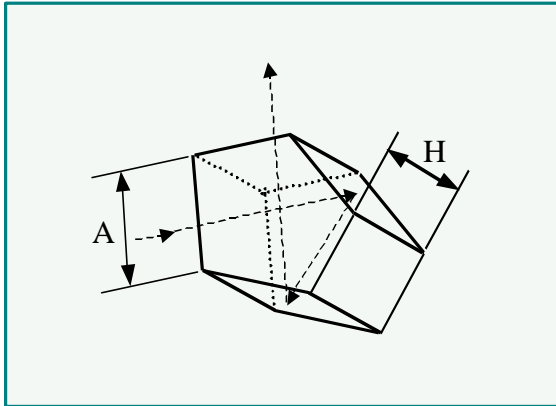


Specifications

Dimensional Tolerance:	+0/-0.010"
Clear Aperture:	> 85% of central dimension
Chamfer:	0.3mm × 45°
Knife Edge:	Minimum edge chip 90° ± 10 arc sec

Lattice's high efficiency AR coatings are available upon request.

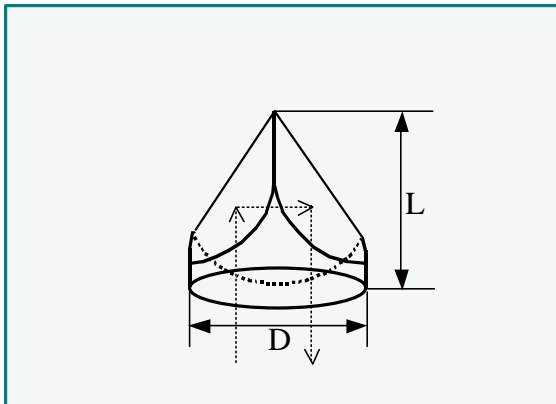
Part No.	Material	D=L
B-POP-05	BK7	0.50"
B-POP-10	BK7	1.00"
UF-POP-05	UV Fused Silica	0.50"
UF-POP-10	UV Fused Silica	1.00"



Specifications

Dimensional Tolerance:	+0/-0.010"
Angular Tolerance:	< 10 arc sec
Clear Aperture:	> 85% of central dimension
Surface Figure:	$\lambda/4$ at 632.8nm

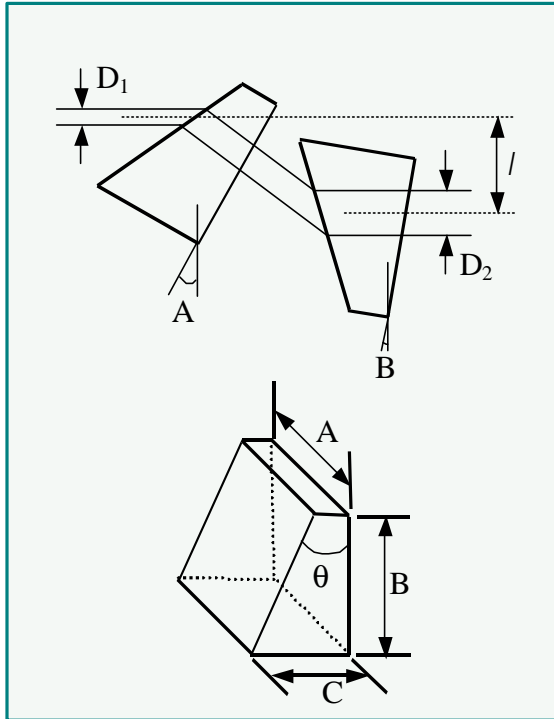
Part No.	Material	A	H
B-PNP-03	BK7	7mm	6mm
B-PNP-04	BK7	10mm	10mm
B-PNP-06	BK7	15mm	15mm
B-PNP-08	BK7	20mm	20mm



Specifications

Dimensional Tolerance:	+0/-0.010"
Beam Deviation:	< 3 arc sec
Clear Aperture:	> 80% of diameter
Surface Figure:	$\lambda/10$ at 632.8nm
Chamfer:	0.3mm \times 45°

Part No.	Material	D	L
B-SR-06	BK7	15mm	11.3mm
B-SR-10	BK7	1.00"	19.0mm
B-SR-15	BK7	1.50"	28.5mm
B-SR-20	BK7	2.00"	37.5mm



Specifications

Dimensional Tolerance:	+0/-0.010"
Angular Tolerance:	< 3 arc min
Clear Aperture	> 80% of central dimension
Surface Figure:	$\lambda/10$ at 632.8nm
Surface Quality	40-20 scratch-dig
Chamfer	0.3mm \times 45°

Part No.	Material	A	B	C	q
SF11-AP-05	SF11	12.0mm	12.0mm	8.5mm	29.45°

Magnification	Angle		Displacement l
	A	B	
2X	21.2°	-6.0°	5.2mm
3X	30.4°	-0.1°	6.3mm
4X	35.2°	2.5°	7.0mm
5X	38.2°	3.9°	7.4mm
6X	40.4°	4.8°	7.7mm

Application chart calculated @ 850nm