

Lenses control the light passage in optical system and made by variety of different optical materials. The most popular optical materials are BK7, fused silica, CaF₂ and MgF₂ for applications at from UV to IR radiation.

Simple spherical lenses in combinations with others can perform well in many demanding optical environments with relatively low cost. Our lenses are usually highly polished, better than $\lambda/10$ or $\lambda/20$.

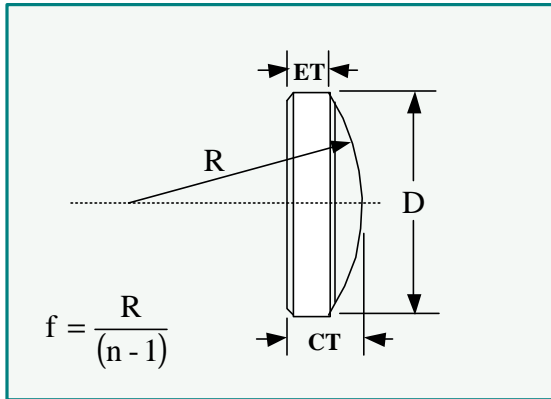
High damage threshold coatings are readily available upon request of any kinds of applications, such as antireflection coating, broadband antireflection coatings, high power beamsplitter coatings and high energy mirror coatings.

PLANO CONVEX

Table of Contents

Spherical BK7 Plano-Convex Lens (B-PX).....	23
Spherical UVFS Plano-Convex Lens (UF-PX).....	25
Spherical Plano-Convex Mirror Blanks (B-MPX, UF-MPX, UC-MPX).....	27
Spherical BK7 Plano-Concave Lens (B-PC).....	29
Spherical UVFS Plano-Concave Lens (UF-PC).....	31
Spherical Plano-Concave Mirror Blanks (B-MPC, UF-MPC, UC-MPC).....	33
Spherical BK7 Bi-Convex Lens (B-BX).....	36
Spherical UVFS Bi-Convex Lens (UF-BX).....	37
Spherical Best Form Bi-Convex Lens (B-BB, UF-BB).....	38
Spherical BK7 Bi-Concave Lens (B-BC).....	39
Spherical UVFS Bi-Concave Lens (UF-BC).....	39
Cylindrical BK7 Plano-Convex Lens (B-CX).....	40
Cylindrical UVFS Plano-Convex Lens (UF-CX).....	41
Cylindrical BK7 Plano-Concave Lens (B-CC).....	42
Cylindrical UVFS Plano-Concave Lens (UF-CC).....	43
ZnSe Negative Meniscus Lenses (ZE-NM).....	44
ZnSe Positive Meniscus Lenses (ZE-PM).....	44
ZnSe Plano-Convex Lenses (ZE-PX).....	44



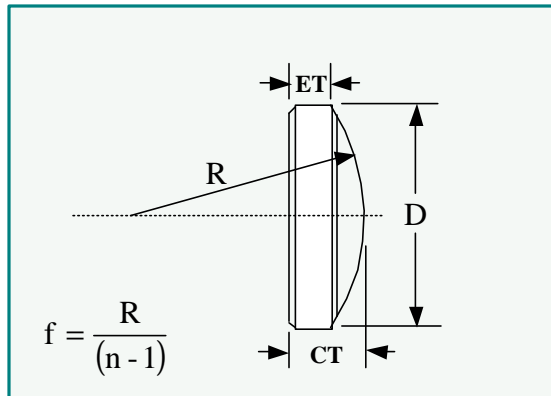


Specifications

Diameter Tolerance:	+0/-0.005"
Thickness Tolerance:	±0.010"
Concentricity:	< 3 arc min.
Clear Aperture:	> 85% of diameter
Focal Length Tolerance:	± 0.5%
Surface Figure:	λ/10 at 632.8nm
Surface Quality:	10-5 scratch-dig

Part No.	Material	Diameter	R	Focal Length (f)		Thickness ET
				532 nm	1064 nm	
B-PX-2-3	BK7	2mm	1.56mm	3mm	3.1mm	1mm
B-PX-2-4	BK7	2mm	2.08mm	4mm	4.1mm	1mm
B-PX-4-6	BK7	4mm	3.22mm	6mm	6.2mm	1mm
B-PX-4-8	BK7	4mm	4.16mm	8mm	8.2mm	1mm
B-PX-4-10	BK7	4mm	5.19mm	10mm	10.3mm	1mm
B-PX-6-8	BK7	6mm	4.16mm	8mm	8.2mm	1mm
B-PX-6-10	BK7	6mm	5.19mm	10mm	10.3mm	1mm
B-PX-6-15	BK7	6mm	7.79mm	15mm	15.4mm	1mm
B-PX-6-30	BK7	6mm	15.58mm	30mm	30.8mm	1mm
B-PX-8-10	BK7	8mm	5.19mm	10mm	10.3mm	1mm
B-PX-8-20	BK7	8mm	10.39mm	20mm	20.5mm	1mm
B-PX-8-30	BK7	8mm	15.58mm	30mm	30.8mm	1mm
B-PX-8-50	BK7	8mm	25.97mm	50mm	51.3mm	1mm
B-PX-10-15	BK7	10mm	7.79mm	15mm	15.38mm	2mm
B-PX-10-20	BK7	10mm	10.39mm	20mm	20.5mm	2mm
B-PX-10-30	BK7	10mm	15.58mm	30mm	30.8mm	2mm
B-PX-10-50	BK7	10mm	25.97mm	50mm	51.3mm	2mm
B-PX-10-100	BK7	10mm	51.95mm	100mm	102.5mm	2mm
B-PX-10-500	BK7	10mm	259.73mm	500mm	512.7mm	2mm
B-PX-12.7-20	BK7	0.5"	10.39mm	20mm	20.5mm	2mm
B-PX-12.7-30	BK7	0.5"	15.58mm	30mm	30.8mm	2mm
B-PX-12.7-50	BK7	0.5"	25.97mm	50mm	51.3mm	2mm
B-PX-12.7-75	BK7	0.5"	38.96mm	75mm	76.9mm	2mm
B-PX-12.7-100	BK7	0.5"	51.95mm	100mm	102.5mm	2mm
B-PX-12.7-200	BK7	0.5"	103.89mm	200mm	205.1mm	2mm
B-PX-12.7-500	BK7	0.5"	259.73mm	500mm	512.7mm	2mm
B-PX-12.7-1000	BK7	0.5"	519.47mm	1000mm	1025.3mm	2mm
B-PX-20-25	BK7	20mm	12.99mm	25mm	25.6mm	2mm
B-PX-20-30	BK7	20mm	15.58mm	30mm	30.8mm	2mm
B-PX-20-50	BK7	20mm	25.97mm	50mm	51.3mm	2mm
B-PX-20-75	BK7	20mm	38.96mm	75mm	76.9mm	2mm
B-PX-20-100	BK7	20mm	51.95mm	100mm	102.5mm	2mm
B-PX-20-150	BK7	20mm	77.92mm	150mm	153.8mm	2mm
B-PX-20-200	BK7	20mm	103.89mm	200mm	205.1mm	2mm
B-PX-20-300	BK7	20mm	155.84mm	300mm	307.6mm	2mm
B-PX-20-500	BK7	20mm	259.73mm	500mm	512.7mm	2mm
B-PX-20-750	BK7	20mm	389.60mm	750mm	769.0mm	2mm
B-PX-20-1000	BK7	20mm	519.47mm	1000mm	1025.3mm	2mm
B-PX-20-3000	BK7	20mm	1558.41mm	3000mm	3076.0mm	2mm

Part No.	Material	Diameter	R	Focal Length (f)		Thickness ET
				532 nm	1064 nm	
B-PX-25.4-30	BK7	1.0"	15.58mm	30mm	30.8mm	2mm
B-PX-25.4-50	BK7	1.0"	25.97mm	50mm	51.3mm	2mm
B-PX-25.4-75	BK7	1.0"	38.96mm	75mm	76.9mm	2mm
B-PX-25.4-100	BK7	1.0"	51.95mm	100mm	102.5mm	2mm
B-PX-25.4-150	BK7	1.0"	77.92mm	150mm	153.8mm	2mm
B-PX-25.4-200	BK7	1.0"	103.89mm	200mm	205.1mm	2mm
B-PX-25.4-300	BK7	1.0"	155.84mm	300mm	307.6mm	2mm
B-PX-25.4-500	BK7	1.0"	259.73mm	500mm	512.7mm	2mm
B-PX-25.4-750	BK7	1.0"	389.60mm	750mm	769.0mm	2mm
B-PX-25.4-1000	BK7	1.0"	519.47mm	1000mm	1025.3mm	2mm
B-PX-25.4-1500	BK7	1.0"	779.20mm	1500mm	1538.0mm	2mm
B-PX-25.4-3000	BK7	1.0"	1558.41mm	3000mm	3076.0mm	2mm
B-PX-25.4-5000	BK7	1.0"	2597.35mm	5000mm	5126.7mm	2mm
B-PX-38.1-50	BK7	1.5"	25.97mm	50mm	51.3mm	2mm
B-PX-38.1-75	BK7	1.5"	38.96mm	75mm	76.9mm	2mm
B-PX-38.1-100	BK7	1.5"	51.95mm	100mm	102.5mm	2mm
B-PX-38.1-150	BK7	1.5"	77.92mm	150mm	153.8mm	2mm
B-PX-38.1-200	BK7	1.5"	103.89mm	200mm	205.1mm	2mm
B-PX-38.1-300	BK7	1.5"	155.84mm	300mm	307.6mm	2mm
B-PX-38.1-500	BK7	1.5"	259.73mm	500mm	512.7mm	2mm
B-PX-38.1-750	BK7	1.5"	389.60mm	750mm	769.0mm	2mm
B-PX-38.1-1000	BK7	1.5"	519.47mm	1000mm	1025.3mm	2mm
B-PX-38.1-1500	BK7	1.5"	779.20mm	1500mm	1538.0mm	2mm
B-PX-38.1-3000	BK7	1.5"	1558.41mm	3000mm	3076.0mm	2mm
B-PX-38.1-5000	BK7	1.5"	2597.35mm	5000mm	5126.7mm	2mm
B-PX-38.1-10000	BK7	1.5"	5194.70mm	10000mm	10253.4mm	2mm
B-PX-50.8-75	BK7	2.0"	38.96mm	75mm	76.9mm	2mm
B-PX-50.8-100	BK7	2.0"	51.95mm	100mm	102.5mm	2mm
B-PX-50.8-150	BK7	2.0"	77.92mm	150mm	153.8mm	2mm
B-PX-50.8-200	BK7	2.0"	103.89mm	200mm	205.1mm	2mm
B-PX-50.8-300	BK7	2.0"	155.84mm	300mm	307.6mm	2mm
B-PX-50.8-500	BK7	2.0"	259.73mm	500mm	512.7mm	2mm
B-PX-50.8-750	BK7	2.0"	389.60mm	750mm	769.0mm	2mm
B-PX-50.8-1000	BK7	2.0"	519.47mm	1000mm	1025.3mm	2mm
B-PX-50.8-1500	BK7	2.0"	779.20mm	1500mm	1538.0mm	2mm
B-PX-50.8-3000	BK7	2.0"	1558.41mm	3000mm	3076.0mm	2mm
B-PX-50.8-5000	BK7	2.0"	2597.35mm	5000mm	5126.7mm	2mm
B-PX-50.8-10000	BK7	2.0"	5194.70mm	10000mm	10253.4mm	2mm



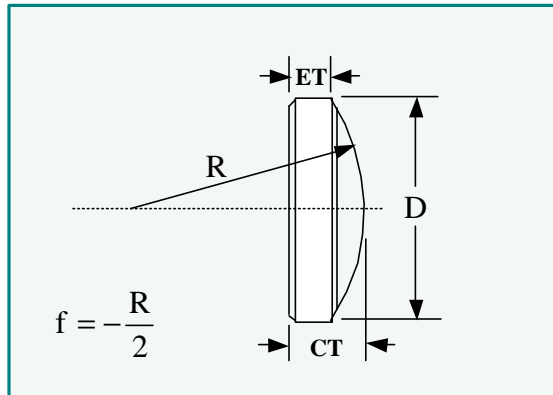
Specifications

Diameter Tolerance:	+0/-0.005"
Thickness Tolerance:	±0.010"
Concentricity:	< 3 arc min.
Clear Aperture:	> 85% of diameter
Focal Length Tolerance:	± 0.5%
Surface Figure:	λ/10 at 632.8nm
Surface Quality:	10-5 scratch-dig

Part No.	Material	Diameter	R	Focal Length (f)			ET
				248nm	532nm	1064nm	
UF-PX-2-3	UV Fused Silica	2mm	1.52mm	3mm	3.3mm	3.4mm	1mm
UF-PX-2-4	UV Fused Silica	2mm	2.03mm	4mm	4.4mm	4.5mm	1mm
UF-PX-4-6	UV Fused Silica	4mm	3.05mm	6mm	6.6mm	6.8mm	1mm
UF-PX-4-8	UV Fused Silica	4mm	4.07mm	8mm	8.8mm	9.0mm	1mm
UF-PX-4-10	UV Fused Silica	4mm	5.08mm	10mm	11.0mm	11.3mm	1mm
UF-PX-6-8	UV Fused Silica	6mm	4.07mm	8mm	8.8mm	9.0mm	1mm
UF-PX-6-10	UV Fused Silica	6mm	5.08mm	10mm	11.0mm	11.3mm	1mm
UF-PX-6-15	UV Fused Silica	6mm	7.63mm	15mm	16.6mm	16.9mm	1mm
UF-PX-6-30	UV Fused Silica	6mm	15.26mm	30mm	33.1mm	33.9mm	1mm
UF-PX-8-10	UV Fused Silica	8mm	5.08mm	10mm	11.0mm	11.3mm	1mm
UF-PX-8-20	UV Fused Silica	8mm	10.17mm	20mm	22.1mm	22.6mm	1mm
UF-PX-8-30	UV Fused Silica	8mm	15.26mm	30mm	33.1mm	33.9mm	1mm
UF-PX-8-50	UV Fused Silica	8mm	25.43mm	50mm	55.2mm	56.5mm	1mm
UF-PX-10-15	UV Fused Silica	10mm	7.63mm	15mm	16.6mm	16.9mm	2mm
UF-PX-10-20	UV Fused Silica	10mm	10.17mm	20mm	22.1mm	22.6mm	2mm
UF-PX-10-30	UV Fused Silica	10mm	15.26mm	30mm	33.1mm	33.9mm	2mm
UF-PX-10-50	UV Fused Silica	10mm	25.43mm	50mm	55.2mm	56.5mm	2mm
UF-PX-10-100	UV Fused Silica	10mm	50.85mm	100mm	110.4mm	113.1mm	2mm
UF-PX-10-500	UV Fused Silica	10mm	254.27mm	500mm	551.9mm	565.5mm	2mm
UF-PX-12.7-20	UV Fused Silica	0.5"	10.17mm	20mm	22.1mm	22.6mm	2mm
UF-PX-12.7-30	UV Fused Silica	0.5"	15.26mm	30mm	33.1mm	33.9mm	2mm
UF-PX-12.7-50	UV Fused Silica	0.5"	25.43mm	50mm	55.2mm	56.5mm	2mm
UF-PX-12.7-75	UV Fused Silica	0.5"	38.14mm	75mm	82.8mm	84.8mm	2mm
UF-PX-12.7-100	UV Fused Silica	0.5"	50.85mm	100mm	110.4mm	113.1mm	2mm
UF-PX-12.7-200	UV Fused Silica	0.5"	101.71mm	200mm	220.8mm	226.2mm	2mm
UF-PX-12.7-500	UV Fused Silica	0.5"	254.27mm	500mm	551.9mm	565.5mm	2mm
UF-PX-12.7-1000	UV Fused Silica	0.5"	508.53mm	1000mm	1103.8mm	1130.9mm	2mm
UF-PX-12.7-3000	UV Fused Silica	0.5"	1525.59mm	3000mm	3311.4mm	3393.0mm	2mm
UF-PX-25.4-30	UV Fused Silica	1.0"	15.26mm	30mm	33.1mm	33.9mm	2mm
UF-PX-25.4-50	UV Fused Silica	1.0"	25.43mm	50mm	55.2mm	56.5mm	2mm
UF-PX-25.4-75	UV Fused Silica	1.0"	38.14mm	75mm	82.8mm	84.8mm	2mm
UF-PX-25.4-100	UV Fused Silica	1.0"	50.85mm	100mm	110.4mm	113.1mm	2mm
UF-PX-25.4-200	UV Fused Silica	1.0"	76.28mm	150mm	165.6mm	169.6mm	2mm
UF-PX-25.4-100	UV Fused Silica	1.0"	101.71mm	200mm	220.8mm	226.2mm	2mm
UF-PX-25.4-200	UV Fused Silica	1.0"	152.56mm	300mm	331.1mm	339.3mm	2mm
UF-PX-25.4-500	UV Fused Silica	1.0"	254.27mm	500mm	551.9mm	565.5mm	2mm
UF-PX-25.4-750	UV Fused Silica	1.0"	381.40mm	750mm	827.9mm	848.3mm	2mm
UF-PX-25.4-1000	UV Fused Silica	1.0"	508.53mm	1000mm	1103.8mm	1130.9mm	2mm
UF-PX-25.4-1500	UV Fused Silica	1.0"	762.80mm	1500mm	1655.7mm	1696.4mm	2mm
UF-PX-25.4-3000	UV Fused Silica	1.0"	1525.59mm	3000mm	3311.4mm	3393.0mm	2mm
UF-PX-25.4-5000	UV Fused Silica	1.0"	2542.65mm	5000mm	5519.0mm	5654.7mm	2mm

Part No.	Material	D	R	Focal length (f)			ET
				248nm	532nm	1064nm	
UF-PX-38.1-50	UV Fused Silica	1.5"	25.43mm	50mm	55.2mm	56.5mm	2mm
UF-PX-38.1-75	UV Fused Silica	1.5"	38.14mm	75mm	82.8mm	84.8mm	2mm
UF-PX-38.1-100	UV Fused Silica	1.5"	50.85mm	100mm	110.4mm	113.1mm	2mm
UF-PX-38.1-150	UV Fused Silica	1.5"	76.28mm	150mm	165.6mm	169.6mm	2mm
UF-PX-38.1-200	UV Fused Silica	1.5"	101.71mm	200mm	220.8mm	226.2mm	2mm
UF-PX-38.1-300	UV Fused Silica	1.5"	152.56mm	300mm	331.1mm	339.3mm	2mm
UF-PX-38.1-500	UV Fused Silica	1.5"	254.27mm	500mm	551.9mm	565.5mm	2mm
UF-PX-38.1-750	UV Fused Silica	1.5"	381.40mm	750mm	827.9mm	848.3mm	2mm
UF-PX-38.1-1000	UV Fused Silica	1.5"	508.53mm	1000mm	1103.8mm	1130.9mm	2mm
UF-PX-38.1-1500	UV Fused Silica	1.5"	762.80mm	1500mm	1655.7mm	1696.4mm	2mm
UF-PX-38.1-3000	UV Fused Silica	1.5"	1525.59mm	3000mm	3311.4mm	3393.0mm	2mm
UF-PX-38.1-5000	UV Fused Silica	1.5"	2542.65mm	5000mm	5519.0mm	5654.7mm	2mm
UF-PX-38.1-10000	UV Fused Silica	1.5"	5085.31mm	10000mm	11038.0mm	11309.3mm	2mm
UF-PX-50.8-75	UV Fused Silica	1.5"	38.14mm	75mm	82.8mm	84.8mm	2mm
UF-PX-50.8-100	UV Fused Silica	1.5"	50.85mm	100mm	110.4mm	113.1mm	2mm
UF-PX-50.8-150	UV Fused Silica	1.5"	76.28mm	150mm	165.6mm	169.6mm	2mm
UF-PX-50.8-200	UV Fused Silica	1.5"	101.71mm	200mm	220.8mm	226.2mm	2mm
UF-PX-50.8-300	UV Fused Silica	1.5"	152.56mm	300mm	331.1mm	339.3mm	2mm
UF-PX-50.8-500	UV Fused Silica	1.5"	254.27mm	500mm	551.9mm	565.5mm	2mm
UF-PX-50.8-750	UV Fused Silica	1.5"	381.40mm	750mm	827.9mm	848.3mm	2mm
UF-PX-50.8-1000	UV Fused Silica	1.5"	508.53mm	1000mm	1103.8mm	1130.9mm	2mm
UF-PX-50.8-1500	UV Fused Silica	1.5"	762.80mm	1500mm	1655.7mm	1696.4mm	2mm
UF-PX-50.8-3000	UV Fused Silica	1.5"	1525.59mm	3000mm	3311.4mm	3393.0mm	2mm
UF-PX-50.8-5000	UV Fused Silica	1.5"	2542.65mm	5000mm	5519.0mm	5654.7mm	2mm
UF-PX-50.8-10000	UV Fused Silica	1.5"	5085.31mm	10000mm	11038.0mm	11309.3mm	2mm





Specifications

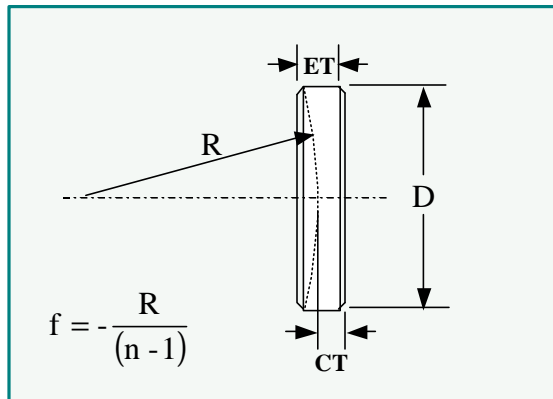
Diameter Tolerance:	+0/-0.005"
Thickness Tolerance:	±0.010"
Concentricity:	< 3 arc min.
Clear Aperture:	> 85% of diameter
Radius Tolerance	± 0.5%
Surface Figure:	λ/10 at 632.8nm
Surface Quality:	10-5 scratch-dig

BK7	UV Fused Silica	Diameter	CT	Radius
B-MPX-0538-50	UF-MPX-0538-50	0.50"	0.375"	50mm
B-MPX-0538-100	UF-MPX-0538-100	0.50"	0.375"	100mm
B-MPX-0538-150	UF-MPX-0538-150	0.50"	0.375"	150mm
B-MPX-0538-200	UF-MPX-0538-200	0.50"	0.375"	200mm
B-MPX-0538-300	UF-MPX-0538-300	0.50"	0.375"	300mm
B-MPX-0538-500	UF-MPX-0538-500	0.50"	0.375"	500mm
B-MPX-0538-750	UF-MPX-0538-750	0.50"	0.375"	750mm
B-MPX-0538-1000	UF-MPX-0538-1000	0.50"	0.375"	1000mm
B-MPX-0538-2000	UF-MPX-0538-2000	0.50"	0.375"	2000mm
B-MPX-0538-3000	UF-MPX-0538-3000	0.50"	0.375"	3000mm
B-MPX-1038-50	UF-MPX-1038-50	1.00"	0.375"	50mm
B-MPX-1038-100	UF-MPX-1038-100	1.00"	0.375"	100mm
B-MPX-1038-150	UF-MPX-1038-150	1.00"	0.375"	150mm
B-MPX-1038-200	UF-MPX-1038-200	1.00"	0.375"	200mm
B-MPX-1038-300	UF-MPX-1038-300	1.00"	0.375"	300mm
B-MPX-1038-500	UF-MPX-1038-500	1.00"	0.375"	500mm
B-MPX-1038-750	UF-MPX-1038-750	1.00"	0.375"	750mm
B-MPX-1038-1000	UF-MPX-1038-1000	1.00"	0.375"	1000mm
B-MPX-1038-2000	UF-MPX-1038-2000	1.00"	0.375"	2000mm
B-MPX-1038-3000	UF-MPX-1038-3000	1.00"	0.375"	3000mm
B-MPX-1038-5000	UF-MPX-1038-5000	1.00"	0.375"	5000mm
B-MPX-1038-7500	UF-MPX-1038-7500	1.00"	0.375"	7500mm
B-MPX-1038-10000	UF-MPX-1038-10000	1.00"	0.375"	10000mm
B-MPX-1038-20000	UF-MPX-1038-20000	1.00"	0.375"	20000mm
B-MPX-1538-100	UF-MPX-1538-100	1.50"	0.375"	100mm
B-MPX-1538-150	UF-MPX-1538-150	1.50"	0.375"	150mm
B-MPX-1538-200	UF-MPX-1538-200	1.50"	0.375"	200mm
B-MPX-1538-300	UF-MPX-1538-300	1.50"	0.375"	300mm
B-MPX-1538-500	UF-MPX-1538-500	1.50"	0.375"	500mm
B-MPX-1538-750	UF-MPX-1538-750	1.50"	0.375"	750mm
B-MPX-1538-1000	UF-MPX-1538-1000	1.50"	0.375"	1000mm
B-MPX-1538-2000	UF-MPX-1538-2000	1.50"	0.375"	2000mm
B-MPX-1538-3000	UF-MPX-1538-3000	1.50"	0.375"	3000mm
B-MPX-1538-5000	UF-MPX-1538-5000	1.50"	0.375"	5000mm
B-MPX-1538-7500	UF-MPX-1538-7500	1.50"	0.375"	7500mm
B-MPX-1538-10000	UF-MPX-1538-10000	1.50"	0.375"	10000mm
B-MPX-1538-20000	UF-MPX-1538-20000	1.50"	0.375"	20000mm

BK7	UV Fused Silica	Diameter	CT	Radius
B-MPX-2038-300	UF-MPX-2038-300	2.00"	0.375"	300mm
B-MPX-2038-500	UF-MPX-2038-500	2.00"	0.375"	500mm
B-MPX-2038-750	UF-MPX-2038-750	2.00"	0.375"	750mm
B-MPX-2038-1000	UF-MPX-2038-1000	2.00"	0.375"	1000mm
B-MPX-2038-2000	UF-MPX-2038-2000	2.00"	0.375"	2000mm
B-MPX-2038-3000	UF-MPX-2038-3000	2.00"	0.375"	3000mm
B-MPX-2038-5000	UF-MPX-2038-5000	2.00"	0.375"	5000mm
B-MPX-2038-7500	UF-MPX-2038-7500	2.00"	0.375"	7500mm
B-MPX-2038-10000	UF-MPX-2038-10000	2.00"	0.375"	10000mm
B-MPX-2038-20000	UF-MPX-2038-20000	2.00"	0.375"	20000mm

VUV CaF₂ Substrate

VUV CaF ₂	Diameter	CT	Radius	Surface Quality
UC-MPX-0520-50	0.50"	5mm	50mm	20-10
UC-MPX-0520-100	0.50"	5mm	100mm	20-10
UC-MPX-0520-250	0.50"	5mm	250mm	20-10
UC-MPX-0520-300	0.50"	5mm	300mm	20-10
UC-MPX-0520-500	0.50"	5mm	500mm	20-10
UC-MPX-0520-1000	0.50"	5mm	1000mm	20-10
UC-MPX-0520-2500	0.50"	5mm	2500mm	20-10
UC-MPX-0520-5000	0.50"	5mm	5000mm	20-10
UC-MPX-0520-7500	0.50"	5mm	7500mm	20-10
UC-MPX-0520-10000	0.50"	5mm	10000mm	20-10
UC-MPX-1020-500	1.00"	5mm	500mm	20-10
UC-MPX-1020-1000	1.00"	5mm	1000mm	20-10
UC-MPX-1020-2500	1.00"	5mm	2500mm	20-10
UC-MPX-1020-5000	1.00"	5mm	5000mm	20-10
UC-MPX-1020-7500	1.00"	5mm	7500mm	20-10
UC-MPX-1020-10000	1.00"	5mm	10000mm	20-10
UC-MPX-1420-1000	36mm	5mm	1000mm	20-10
UC-MPX-1420-2500	36mm	5mm	2500mm	20-10
UC-MPX-1420-5000	36mm	5mm	5000mm	20-10
UC-MPX-1420-10000	36mm	5mm	10000mm	20-10
UC-MPX-1420-20000	36mm	5mm	20000mm	20-10
UC-MPX-1520-1000	1.50"	5mm	1000mm	20-10
UC-MPX-1520-2500	1.50"	5mm	2500mm	20-10
UC-MPX-1520-5000	1.50"	5mm	5000mm	20-10
UC-MPX-1520-10000	1.50"	5mm	10000mm	20-10
UC-MPX-1520-20000	1.50"	5mm	20000mm	20-10
UC-MPX-2038-1000	2.00"	0.375"	1000mm	20-10
UC-MPX-2038-2500	2.00"	0.375"	2500mm	20-10
UC-MPX-2038-5000	2.00"	0.375"	5000mm	20-10
UC-MPX-2038-10000	2.00"	0.375"	10000mm	20-10
UC-MPX-2038-20000	2.00"	0.375"	20000mm	20-10

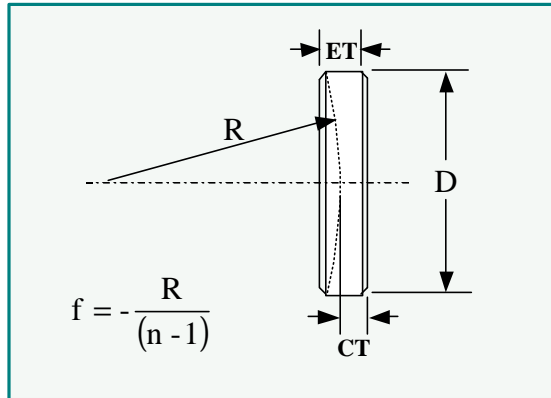


Specifications

Diameter Tolerance:	+0/-0.005"
Thickness Tolerance:	± 0.010 "
Concentricity:	< 3 arc min.
Clear Aperture:	> 85% of diameter
Focal Length Tolerance:	$\pm 0.5\%$
Surface Figure:	$\lambda/10$ at 632.8nm
Surface Quality:	10-5 scratch-dig

Part No.	Material	Diameter	R	Focal Length (f)		Thickness CT
				532nm	1064nm	
B-PC-10-15	BK7	10mm	7.79mm	-15mm	-15.4mm	2mm
B-PC-10-20	BK7	10mm	10.39mm	-20mm	-20.5mm	2mm
B-PC-10-30	BK7	10mm	15.58mm	-30mm	-30.8mm	2mm
B-PC-10-40	BK7	10mm	20.78mm	-40mm	-41.0mm	2mm
B-PC-10-50	BK7	10mm	25.97mm	-50mm	-51.3mm	2mm
B-PC-10-100	BK7	10mm	51.95mm	-100mm	-102.5mm	2mm
B-PC-10-200	BK7	10mm	103.89mm	-200mm	-205.1mm	2mm
B-PC-10-300	BK7	10mm	155.84mm	-300mm	-307.6mm	2mm
B-PC-10-500	BK7	10mm	259.73mm	-500mm	-512.7mm	2mm
B-PC-10-750	BK7	10mm	389.60mm	-750mm	-769.0mm	2mm
B-PC-10-1000	BK7	10mm	519.47mm	-1000mm	-1025.3mm	2mm
B-PC-10-1500	BK7	10mm	779.20mm	-1500mm	-1538.0mm	2mm
B-PC-12.7-20	BK7	0.5"	10.39mm	-20mm	-20.5mm	2mm
B-PC-12.7-30	BK7	0.5"	15.58mm	-30mm	-30.8mm	2mm
B-PC-12.7-40	BK7	0.5"	20.78mm	-40mm	-41.0mm	2mm
B-PC-12.7-50	BK7	0.5"	25.97mm	-50mm	-51.3mm	2mm
B-PC-12.7-100	BK7	0.5"	51.95mm	-100mm	-102.5mm	2mm
B-PC-12.7-200	BK7	0.5"	103.89mm	-200mm	-205.1mm	2mm
B-PC-12.7-300	BK7	0.5"	155.84mm	-300mm	-307.6mm	2mm
B-PC-12.7-500	BK7	0.5"	259.73mm	-500mm	-512.7mm	2mm
B-PC-12.7-750	BK7	0.5"	389.60mm	-750mm	-769.0mm	2mm
B-PC-12.7-1000	BK7	0.5"	519.47mm	-1000mm	-1025.3mm	2mm
B-PC-12.7-1500	BK7	0.5"	779.20mm	-1500mm	-1538.0mm	2mm
B-PC-20-25	BK7	20mm	12.99mm	-25mm	-25.6mm	2mm
B-PC-20-50	BK7	20mm	25.97mm	-50mm	-51.3mm	2mm
B-PC-20-100	BK7	20mm	51.95mm	-100mm	-102.5mm	2mm
B-PC-20-200	BK7	20mm	103.89mm	-200mm	-205.1mm	2mm
B-PC-20-300	BK7	20mm	155.84mm	-300mm	-307.6mm	2mm
B-PC-20-500	BK7	20mm	259.73mm	-500mm	-512.7mm	2mm
B-PC-20-750	BK7	20mm	389.60mm	-750mm	-769.0mm	2mm
B-PC-20-1000	BK7	20mm	519.47mm	-1000mm	-1025.3mm	2mm
B-PC-20-1500	BK7	20mm	779.20mm	-1500mm	-1538.0mm	2mm
B-PC-20-2000	BK7	20mm	1038.94mm	-2000mm	-2050.7mm	2mm

Part No.	Material	Diameter	R	Focal Length (f)		Thickness CT
				532nm	1064nm	
B-PC-25.4-50	BK7	1.0"	25.97mm	-50mm	-51.3mm	2mm
B-PC-25.4-100	BK7	1.0"	51.95mm	-100mm	-102.5mm	2mm
B-PC-25.4-200	BK7	1.0"	103.89mm	-200mm	-205.1mm	2mm
B-PC-25.4-300	BK7	1.0"	155.84mm	-300mm	-307.6mm	2mm
B-PC-25.4-500	BK7	1.0"	259.73mm	-500mm	-512.7mm	3mm
B-PC-25.4-750	BK7	1.0"	389.60mm	-750mm	-769.0mm	3mm
B-PC-25.4-1000	BK7	1.0"	519.47mm	-1000mm	-1025.3mm	3mm
B-PC-25.4-1500	BK7	1.0"	779.20mm	-1500mm	-1538.0mm	4mm
B-PC-25.4-2000	BK7	1.0"	1038.94mm	-2000mm	-2050.7mm	4mm
B-PC-25.4-3000	BK7	1.0"	1558.41mm	-3000mm	-3076.0mm	4mm
B-PC-25.4-5000	BK7	1.0"	2597.35mm	-5000mm	-5126.7mm	4mm
B-PC-25.4-10000	BK7	1.0"	5194.70mm	-10000mm	-10253.4mm	4mm
B-PC-38.1-75	BK7	1.5"	38.96mm	-75mm	-76.9mm	2mm
B-PC-38.1-100	BK7	1.5"	51.95mm	-100mm	-102.5mm	2mm
B-PC-38.1-200	BK7	1.5"	103.89mm	-200mm	-205.1mm	2mm
B-PC-38.1-300	BK7	1.5"	155.84mm	-300mm	-307.6mm	3mm
B-PC-38.1-500	BK7	1.5"	259.73mm	-500mm	-512.7mm	3mm
B-PC-38.1-750	BK7	1.5"	389.60mm	-750mm	-769.0mm	4mm
B-PC-38.1-1000	BK7	1.5"	519.47mm	-1000mm	-1025.3mm	4mm
B-PC-38.1-1500	BK7	1.5"	779.20mm	-1500mm	-1538.0mm	4mm
B-PC-38.1-2000	BK7	1.5"	1038.94mm	-2000mm	-2050.7mm	5mm
B-PC-38.1-3000	BK7	1.5"	1558.41mm	-3000mm	-3076.0mm	5mm
B-PC-38.1-5000	BK7	1.5"	2597.35mm	-5000mm	-5126.7mm	5mm
B-PC-38.1-10000	BK7	1.5"	5194.70mm	-10000mm	-10253.4mm	5mm
B-PC-50.8-100	BK7	2.0"	51.95mm	-100mm	-102.5mm	3mm
B-PC-50.8-200	BK7	2.0"	103.89mm	-200mm	-205.1mm	3mm
B-PC-50.8-300	BK7	2.0"	155.84mm	-300mm	-307.6mm	3mm
B-PC-50.8-500	BK7	2.0"	259.73mm	-500mm	-512.7mm	5mm
B-PC-50.8-750	BK7	2.0"	389.60mm	-750mm	-769.0mm	5mm
B-PC-50.8-1000	BK7	2.0"	519.47mm	-1000mm	-1025.3mm	5mm
B-PC-50.8-1500	BK7	2.0"	779.20mm	-1500mm	-1538.0mm	5mm
B-PC-50.8-2000	BK7	2.0"	1038.94mm	-2000mm	-2050.7mm	6mm
B-PC-50.8-3000	BK7	2.0"	1558.41mm	-3000mm	-3076.0mm	6mm
B-PC-50.8-5000	BK7	2.0"	2597.35mm	-5000mm	-5126.7mm	6mm
B-PC-50.8-10000	BK7	2.0"	5194.70mm	-10000mm	-10253.4mm	6mm

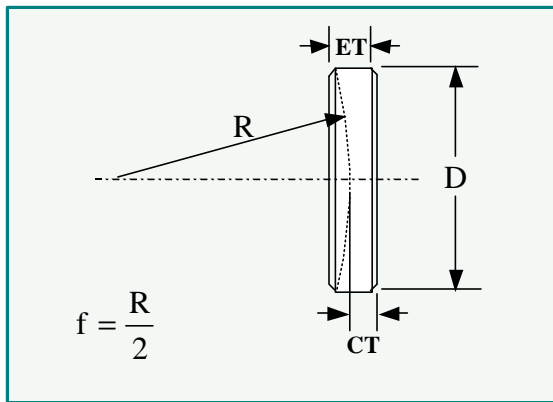


Specifications

Diameter Tolerance:	+0/-0.005"
Thickness Tolerance:	±0.010"
Concentricity:	< 3 arc min.
Clear Aperture:	> 85% of diameter
Focal Length Tolerance	± 0.5%
Surface Figure:	λ/10 at 632.8nm
Surface Quality:	10-5 scratch-dig

Part No.	Material	Diameter	R (mm)	Focal Length (mm)			CT (mm)
				248nm	532nm	1064nm	
UF-PC-10-15	UV Fused Silica	10mm	7.63	-15	-16.6	-16.9	2
UF-PC-10-20	UV Fused Silica	10mm	10.17	-20	-22.1	-22.6	2
UF-PC-10-30	UV Fused Silica	10mm	15.26	-30	-33.1	-33.9	2
UF-PC-10-40	UV Fused Silica	10mm	20.34	-40	-44.2	-45.2	2
UF-PC-10-50	UV Fused Silica	10mm	25.43	-50	-55.2	-56.5	2
UF-PC-10-100	UV Fused Silica	10mm	50.85	-100	-110.4	-113.1	2
UF-PC-10-200	UV Fused Silica	10mm	101.71	-200	-220.8	-226.2	2
UF-PC-10-300	UV Fused Silica	10mm	152.56	-300	-331.1	-339.3	2
UF-PC-10-500	UV Fused Silica	10mm	254.27	-500	-551.9	-565.5	2
UF-PC-10-750	UV Fused Silica	10mm	381.40	-750	-827.9	-848.3	2
UF-PC-10-1000	UV Fused Silica	10mm	508.53	-1000	-1103.8	-1130.9	2
UF-PC-10-1500	UV Fused Silica	10mm	762.80	-1500	-1655.7	-1696.4	2
UF-PC-12.7-20	UV Fused Silica	0.5"	10.17	-20	-22.1	-22.6	2
UF-PC-12.7-30	UV Fused Silica	0.5"	15.26	-30	-33.1	-33.9	2
UF-PC-12.7-40	UV Fused Silica	0.5"	20.34	-40	-44.2	-45.2	2
UF-PC-12.7-50	UV Fused Silica	0.5"	25.43	-50	-55.2	-56.5	2
UF-PC-12.7-100	UV Fused Silica	0.5"	50.85	-100	-110.4	-113.1	2
UF-PC-12.7-200	UV Fused Silica	0.5"	101.71	-200	-220.8	-226.2	2
UF-PC-12.7-300	UV Fused Silica	0.5"	152.56	-300	-331.1	-339.3	2
UF-PC-12.7-500	UV Fused Silica	0.5"	254.27	-500	-551.9	-565.5	2
UF-PC-12.7-750	UV Fused Silica	0.5"	381.40	-750	-827.9	-848.3	2
UF-PC-12.7-1000	UV Fused Silica	0.5"	508.53	-1000	-1103.8	-1130.9	2
UF-PC-12.7-1500	UV Fused Silica	0.5"	762.80	-1500	-1655.7	-1696.4	2
UF-PC-20-25	UV Fused Silica	20mm	12.71	-25	-27.6	-28.3	2
UF-PC-20-50	UV Fused Silica	20mm	25.43	-50	-55.2	-56.5	2
UF-PC-20-100	UV Fused Silica	20mm	50.85	-100	-110.4	-113.1	2
UF-PC-20-200	UV Fused Silica	20mm	101.71	-200	-220.8	-226.2	2
UF-PC-20-300	UV Fused Silica	20mm	152.56	-300	-331.1	-339.3	2
UF-PC-20-500	UV Fused Silica	20mm	254.27	-500	-551.9	-565.5	2
UF-PC-20-750	UV Fused Silica	20mm	381.40	-750	-827.9	-848.3	2
UF-PC-20-1000	UV Fused Silica	20mm	508.53	-1000	-1103.8	-1130.9	2
UF-PC-20-1500	UV Fused Silica	20mm	762.80	-1500	-1655.7	-1696.4	2
UF-PC-20-2000	UV Fused Silica	20mm	1017.06	-2000	-2207.6	-2261.9	2

Part No.	Material	D	R (mm)	Focal length (mm)			CT (mm)
				248nm	532nm	1064nm	
UF-PC-25.4-50	UV Fused Silica	1.0"	25.43	-50	-55.2	-56.5	2
UF-PC-25.4-100	UV Fused Silica	1.0"	50.85	-100	-110.4	-113.1	2
UF-PC-25.4-200	UV Fused Silica	1.0"	101.71	-200	-220.8	-226.2	2
UF-PC-25.4-300	UV Fused Silica	1.0"	152.56	-300	-331.1	-339.3	2
UF-PC-25.4-500	UV Fused Silica	1.0"	254.27	-500	-551.9	-565.5	3
UF-PC-25.4-750	UV Fused Silica	1.0"	381.40	-750	-827.9	-848.3	3
UF-PC-25.4-1000	UV Fused Silica	1.0"	508.53	-1000	-1103.8	-1130.9	3
UF-PC-25.4-1500	UV Fused Silica	1.0"	762.80	-1500	-1655.7	-1696.4	4
UF-PC-25.4-2000	UV Fused Silica	1.0"	1017.06	-2000	-2207.6	-2261.9	4
UF-PC-25.4-3000	UV Fused Silica	1.0"	1525.59	-3000	-3311.4	-3393.0	4
UF-PC-25.4-5000	UV Fused Silica	1.0"	2542.65	-5000	-5519.0	-5654.7	4
UF-PC-25.4-10000	UV Fused Silica	1.0"	5085.31	-10000	-11038.0	-11309.3	4
UF-PC-38.1-75	UV Fused Silica	1.5"	38.14	-75	-82.8	-84.8	2
UF-PC-38.1-100	UV Fused Silica	1.5"	50.85	-100	-110.4	-113.1	2
UF-PC-38.1-200	UV Fused Silica	1.5"	101.71	-200	-220.8	-226.2	2
UF-PC-38.1-300	UV Fused Silica	1.5"	152.56	-300	-331.1	-339.3	3
UF-PC-38.1-500	UV Fused Silica	1.5"	254.27	-500	-551.9	-565.5	3
UF-PC-38.1-750	UV Fused Silica	1.5"	381.40	-750	-827.9	-848.3	4
UF-PC-38.1-1000	UV Fused Silica	1.5"	508.53	-1000	-1103.8	-1130.9	4
UF-PC-38.1-1500	UV Fused Silica	1.5"	762.80	-1500	-1655.7	-1696.4	4
UF-PC-38.1-2000	UV Fused Silica	1.5"	1017.06	-2000	-2207.6	-2261.9	5
UF-PC-38.1-3000	UV Fused Silica	1.5"	1525.59	-3000	-3311.4	-3393.0	5
UF-PC-38.1-5000	UV Fused Silica	1.5"	2542.65	-5000	-5519.0	-5654.7	5
UF-PC-38.1-10000	UV Fused Silica	1.5"	5085.31	-10000	-11038.0	-11309.3	5
UF-PC-50.8-100	UV Fused Silica	2.0"	50.85	-100	-110.4	-113.1	3
UF-PC-50.8-200	UV Fused Silica	2.0"	101.71	-200	-220.8	-226.2	3
UF-PC-50.8-300	UV Fused Silica	2.0"	152.56	-300	-331.1	-339.3	3
UF-PC-50.8-500	UV Fused Silica	2.0"	254.27	-500	-551.9	-565.5	5
UF-PC-50.8-750	UV Fused Silica	2.0"	381.40	-750	-827.9	-848.3	5
UF-PC-50.8-1000	UV Fused Silica	2.0"	508.53	-1000	-1103.8	-1130.9	5
UF-PC-50.8-1500	UV Fused Silica	2.0"	762.80	-1500	-1655.7	-1696.4	5
UF-PC-50.8-2000	UV Fused Silica	2.0"	1017.06	-2000	-2207.6	-2261.9	6
UF-PC-50.8-3000	UV Fused Silica	2.0"	1525.59	-3000	-3311.4	-3393.0	6
UF-PC-50.8-5000	UV Fused Silica	2.0"	2542.65	-5000	-5519.0	-5654.7	6
UF-PC-50.8-10000	UV Fused Silica	2.0"	5085.31	-10000	-11038.0	-11309.3	6



Specifications

Diameter Tolerance:	+0/-0.005"
Thickness Tolerance:	±0.010"
Concentricity:	< 3 arc min.
Clear Aperture:	> 85% of diameter
Radius Tolerance:	± 0.5%
Surface Figure:	λ/10 at 632.8nm
Surface Quality:	10-5 scratch-dig

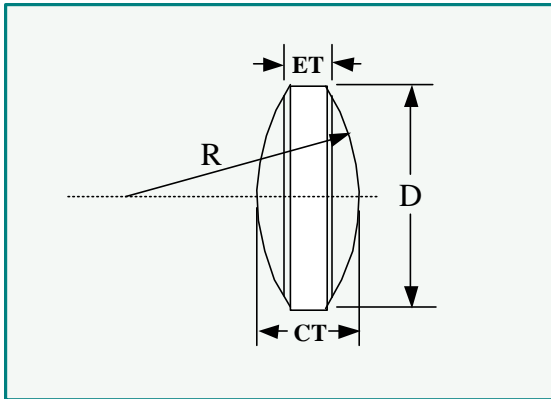
BK7	UV Fused Silica	Diameter	CT	Radius (mm)
B-MPC-0525-10	UF-MPC-0525-10	0.50"	0.25"	10
B-MPC-0525-15	UF-MPC-0525-15	0.50"	0.25"	15
B-MPC-0525-20	UF-MPC-0525-20	0.50"	0.25"	20
B-MPC-0525-25	UF-MPC-0525-25	0.50"	0.25"	25
B-MPC-0525-50	UF-MPC-0525-50	0.50"	0.25"	50
B-MPC-0525-75	UF-MPC-0525-75	0.50"	0.25"	75
B-MPC-0525-100	UF-MPC-0525-100	0.50"	0.25"	100
B-MPC-0525-150	UF-MPC-0525-150	0.50"	0.25"	150
B-MPC-0525-200	UF-MPC-0525-200	0.50"	0.25"	200
B-MPC-0525-300	UF-MPC-0525-300	0.50"	0.25"	300
B-MPC-0525-500	UF-MPC-0525-500	0.50"	0.25"	500
B-MPC-0525-750	UF-MPC-0525-750	0.50"	0.25"	750
B-MPC-0525-1000	UF-MPC-0525-1000	0.50"	0.25"	1000
B-MPC-0525-1500	UF-MPC-0525-1500	0.50"	0.25"	1500
B-MPC-0525-2000	UF-MPC-0525-2000	0.50"	0.25"	2000
B-MPC-0525-2500	UF-MPC-0525-2500	0.50"	0.25"	2500
B-MPC-0525-3000	UF-MPC-0525-3000	0.50"	0.25"	3000
B-MPC-0525-4000	UF-MPC-0525-4000	0.50"	0.25"	4000
B-MPC-0525-5000	UF-MPC-0525-5000	0.50"	0.25"	5000
B-MPC-0525-7500	UF-MPC-0525-7500	0.50"	0.25"	7500
B-MPC-0525-10000	UF-MPC-0525-10000	0.50"	0.25"	10000
B-MPC-0525-20000	UF-MPC-0525-20000	0.50"	0.25"	20000
B-MPC-0538-10	UF-MPC-0538-10	0.50"	0.375"	10
B-MPC-0538-15	UF-MPC-0538-15	0.50"	0.375"	15
B-MPC-0538-20	UF-MPC-0538-20	0.50"	0.375"	20
B-MPC-0538-25	UF-MPC-0538-25	0.50"	0.375"	25
B-MPC-0538-50	UF-MPC-0538-50	0.50"	0.375"	50
B-MPC-0538-75	UF-MPC-0538-75	0.50"	0.375"	75
B-MPC-0538-100	UF-MPC-0538-100	0.50"	0.375"	100
B-MPC-0538-150	UF-MPC-0538-150	0.50"	0.375"	150
B-MPC-0538-200	UF-MPC-0538-200	0.50"	0.375"	200
B-MPC-0538-300	UF-MPC-0538-300	0.50"	0.375"	300
B-MPC-0538-500	UF-MPC-0538-500	0.50"	0.375"	500
B-MPC-0538-750	UF-MPC-0538-750	0.50"	0.375"	750
B-MPC-0538-1000	UF-MPC-0538-1000	0.50"	0.375"	1000
B-MPC-0538-1500	UF-MPC-0538-1500	0.50"	0.375"	1500
B-MPC-0538-2000	UF-MPC-0538-2000	0.50"	0.375"	2000
B-MPC-0538-2500	UF-MPC-0538-2500	0.50"	0.375"	2500
B-MPC-0538-3000	UF-MPC-0538-3000	0.50"	0.375"	3000
B-MPC-0538-4000	UF-MPC-0538-4000	0.50"	0.375"	4000
B-MPC-0538-5000	UF-MPC-0538-5000	0.50"	0.375"	5000
B-MPC-0538-7500	UF-MPC-0538-7500	0.50"	0.375"	7500
B-MPC-0538-10000	UF-MPC-0538-10000	0.50"	0.375"	10000
B-MPC-0538-20000	UF-MPC-0538-20000	0.50"	0.375"	20000

BK7	UV Fused Silica	Diameter	CT	Radius (mm)
B-MPC-1025-25	UF-MPC-1025-25	1.00"	0.250"	25
B-MPC-1025-50	UF-MPC-1025-50	1.00"	0.250"	50
B-MPC-1025-75	UF-MPC-1025-75	1.00"	0.250"	75
B-MPC-1025-100	UF-MPC-1025-100	1.00"	0.250"	100
B-MPC-1025-150	UF-MPC-1025-150	1.00"	0.250"	150
B-MPC-1025-200	UF-MPC-1025-200	1.00"	0.250"	200
B-MPC-1025-300	UF-MPC-1025-300	1.00"	0.250"	300
B-MPC-1025-500	UF-MPC-1025-500	1.00"	0.250"	500
B-MPC-1025-750	UF-MPC-1025-750	1.00"	0.250"	750
B-MPC-1025-1000	UF-MPC-1025-1000	1.00"	0.250"	1000
B-MPC-1025-1500	UF-MPC-1025-1500	1.00"	0.250"	1500
B-MPC-1025-2000	UF-MPC-1025-2000	1.00"	0.250"	2000
B-MPC-1025-2500	UF-MPC-1025-2500	1.00"	0.250"	2500
B-MPC-1025-3000	UF-MPC-1025-3000	1.00"	0.250"	3000
B-MPC-1025-4000	UF-MPC-1025-4000	1.00"	0.250"	4000
B-MPC-1025-5000	UF-MPC-1025-5000	1.00"	0.250"	5000
B-MPC-1025-7500	UF-MPC-1025-7500	1.00"	0.250"	7500
B-MPC-1025-10000	UF-MPC-1025-10000	1.00"	0.250"	10000
B-MPC-1025-20000	UF-MPC-1025-20000	1.00"	0.250"	20000
B-MPC-1038-25	UF-MPC-1038-25	1.00"	0.375"	25
B-MPC-1038-50	UF-MPC-1038-50	1.00"	0.375"	50
B-MPC-1038-75	UF-MPC-1038-75	1.00"	0.375"	75
B-MPC-1038-100	UF-MPC-1038-100	1.00"	0.375"	100
B-MPC-1038-150	UF-MPC-1038-150	1.00"	0.375"	150
B-MPC-1038-200	UF-MPC-1038-200	1.00"	0.375"	200
B-MPC-1038-300	UF-MPC-1038-300	1.00"	0.375"	300
B-MPC-1038-500	UF-MPC-1038-500	1.00"	0.375"	500
B-MPC-1038-750	UF-MPC-1038-750	1.00"	0.375"	750
B-MPC-1038-1000	UF-MPC-1038-1000	1.00"	0.375"	1000
B-MPC-1038-1500	UF-MPC-1038-1500	1.00"	0.375"	1500
B-MPC-1038-2000	UF-MPC-1038-2000	1.00"	0.375"	2000
B-MPC-1038-2500	UF-MPC-1038-2500	1.00"	0.375"	2500
B-MPC-1038-3000	UF-MPC-1038-3000	1.00"	0.375"	3000
B-MPC-1038-4000	UF-MPC-1038-4000	1.00"	0.375"	4000
B-MPC-1038-5000	UF-MPC-1038-5000	1.00"	0.375"	5000
B-MPC-1038-7500	UF-MPC-1038-7500	1.00"	0.375"	7500
B-MPC-1038-10000	UF-MPC-1038-10000	1.00"	0.375"	10000
B-MPC-1038-20000	UF-MPC-1038-20000	1.00"	0.375"	20000
B-MPC-1538-200	UF-MPC-1538-200	1.50"	0.375"	200
B-MPC-1538-300	UF-MPC-1538-300	1.50"	0.375"	300
B-MPC-1538-400	UF-MPC-1538-400	1.50"	0.375"	400
B-MPC-1538-500	UF-MPC-1538-500	1.50"	0.375"	500
B-MPC-1538-750	UF-MPC-1538-750	1.50"	0.375"	750
B-MPC-1538-1000	UF-MPC-1538-1000	1.50"	0.375"	1000
B-MPC-1538-1500	UF-MPC-1538-1500	1.50"	0.375"	1500
B-MPC-1538-2000	UF-MPC-1538-2000	1.50"	0.375"	2000
B-MPC-1538-2500	UF-MPC-1538-2500	1.50"	0.375"	2500
B-MPC-1538-3000	UF-MPC-1538-3000	1.50"	0.375"	3000
B-MPC-1538-4000	UF-MPC-1538-4000	1.50"	0.375"	4000
B-MPC-1538-5000	UF-MPC-1538-5000	1.50"	0.375"	5000
B-MPC-1538-6000	UF-MPC-1538-6000	1.50"	0.375"	6000
B-MPC-1538-7000	UF-MPC-1538-7000	1.50"	0.375"	7000
B-MPC-1538-8000	UF-MPC-1538-8000	1.50"	0.375"	8000
B-MPC-1538-9000	UF-MPC-1538-9000	1.50"	0.375"	9000
B-MPC-1538-10000	UF-MPC-1538-10000	1.50"	0.375"	10000
B-MPC-1538-20000	UF-MPC-1538-20000	1.50"	0.375"	20000

BK7	UV Fused Silica	Diameter	CT	Radius (mm)
B-MPC-2038-200	UF-MPC-2038-200	2.00"	0.375"	200
B-MPC-2038-300	UF-MPC-2038-300	2.00"	0.375"	300
B-MPC-2038-400	UF-MPC-2038-400	2.00"	0.375"	400
B-MPC-2038-500	UF-MPC-2038-500	2.00"	0.375"	500
B-MPC-2038-750	UF-MPC-2038-750	2.00"	0.375"	750
B-MPC-2038-1000	UF-MPC-2038-1000	2.00"	0.375"	1000
B-MPC-2038-1500	UF-MPC-2038-1500	2.00"	0.375"	1500
B-MPC-2038-2000	UF-MPC-2038-2000	2.00"	0.375"	2000
B-MPC-2038-2500	UF-MPC-2038-2500	2.00"	0.375"	2500
B-MPC-2038-3000	UF-MPC-2038-3000	2.00"	0.375"	3000
B-MPC-2038-4000	UF-MPC-2038-4000	2.00"	0.375"	4000
B-MPC-2038-5000	UF-MPC-2038-5000	2.00"	0.375"	5000
B-MPC-2038-6000	UF-MPC-2038-6000	2.00"	0.375"	6000
B-MPC-2038-7000	UF-MPC-2038-7000	2.00"	0.375"	7000
B-MPC-2038-8000	UF-MPC-2038-8000	2.00"	0.375"	8000
B-MPC-2038-9000	UF-MPC-2038-9000	2.00"	0.375"	9000
B-MPC-2038-10000	UF-MPC-2038-10000	2.00"	0.375"	10000
B-MPC-2038-20000	UF-MPC-2038-20000	2.00"	0.375"	20000

VUV CaF₂ Substrate

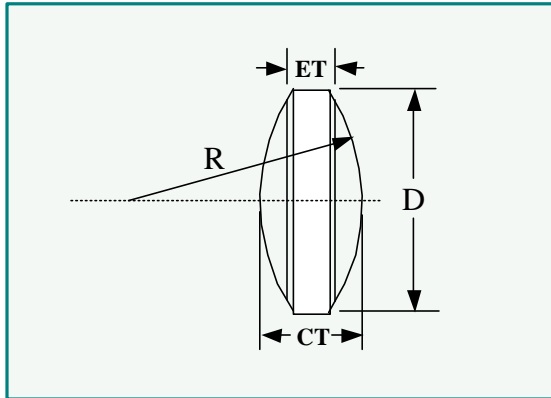
VUV CaF ₂	Diameter	CT	Radius (mm)	Surface Quality
UC-MPC-0525-50	0.50"	0.250"	50	20-10
UC-MPC-0525-100	0.50"	0.250"	100	20-10
UC-MPC-0525-250	0.50"	0.250"	250	20-10
UC-MPC-0525-500	0.50"	0.250"	500	20-10
UC-MPC-0525-750	0.50"	0.250"	750	20-10
UC-MPC-0525-1000	0.50"	0.250"	1000	20-10
UC-MPC-0525-2500	0.50"	0.250"	2500	20-10
UC-MPC-0525-5000	0.50"	0.250"	5000	20-10
UC-MPC-0525-7500	0.50"	0.250"	7500	20-10
UC-MPC-0525-10000	0.50"	0.250"	10000	20-10
UC-MPC-1025-50	1.00"	0.250"	50	20-10
UC-MPC-1025-100	1.00"	0.250"	100	20-10
UC-MPC-1025-250	1.00"	0.250"	250	20-10
UC-MPC-1025-500	1.00"	0.250"	500	20-10
UC-MPC-1025-750	1.00"	0.250"	750	20-10
UC-MPC-1025-1000	1.00"	0.250"	1000	20-10
UC-MPC-1025-2500	1.00"	0.250"	2500	20-10
UC-MPC-1025-5000	1.00"	0.250"	5000	20-10
UC-MPC-1025-7500	1.00"	0.250"	7500	20-10
UC-MPC-1025-10000	1.00"	0.250"	10000	20-10
UC-MPC-1420-1000	36mm	5.0mm	1000	20-10
UC-MPC-1420-2500	36mm	5.0mm	2500	20-10
UC-MPC-1420-5000	36mm	5.0mm	5000	20-10
UC-MPC-1420-10000	36mm	5.0mm	10000	20-10
UC-MPC-1420-20000	36mm	5.0mm	20000	20-10
UC-MPC-1520-1000	1.50"	5.0mm	1000	20-10
UC-MPC-1520-2500	1.50"	5.0mm	2500	20-10
UC-MPC-1520-5000	1.50"	5.0mm	5000	20-10
UC-MPC-1520-10000	1.50"	5.0mm	10000	20-10
UC-MPC-1520-20000	1.50"	5.0mm	20000	20-10
UC-MPC-2038-1000	2.00"	0.375"	1000	20-10
UC-MPC-2038-2500	2.00"	0.375"	2500	20-10
UC-MPC-2038-5000	2.00"	0.375"	5000	20-10
UC-MPC-2038-10000	2.00"	0.375"	10000	20-10
UC-MPC-2038-20000	2.00"	0.375"	20000	20-10



Specifications

Diameter Tolerance:	+0/-0.005"
Thickness Tolerance:	±0.010"
Concentricity:	< 3 arc min.
Clear Aperture:	> 85% of diameter
Radius Tolerance	± 0.5%
Surface Figure:	λ/10 at 632.8nm
Surface Quality:	10-5 scratch-dig

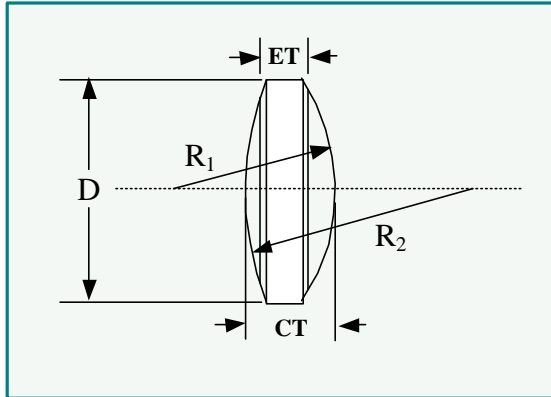
Part No.	Material	Diameter	R (mm)	Focal Length (mm)		Thickness (mm)	
				532 nm	1064 nm	ET	CT
B-BX-5.0-10	BK7	5.0mm	9.8	9.9	10.1	2.0	2.6
B-BX-10.0-10	BK7	10mm	9.4	9.9	10.1	2.0	4.9
B-BX-10.0-25	BK7	10mm	25.2	24.8	25.4	2.0	3.0
B-BX-10.0-50	BK7	10mm	51.0	49.5	50.7	2.0	2.5
B-BX-10.0-100	BK7	10mm	102.7	99.2	101.7	2.0	2.5
B-BX-10.0-200	BK7	10mm	205.7	198.3	203.3	2.0	2.1
B-BX-12.7-15	BK7	0.5"	14.4	14.9	15.3	3.0	6.0
B-BX-12.7-25	BK7	0.5"	25.2	24.8	25.4	2.0	3.6
B-BX-12.7-50	BK7	0.5"	51.0	50.0	50.8	2.0	2.8
B-BX-12.7-100	BK7	0.5"	102.7	99.2	101.7	2.0	2.4
B-BX-12.7-200	BK7	0.5"	205.7	198.4	203.4	2.0	2.2
B-BX-25.4-25	BK7	1.00"	24.2	25.0	25.6	2.0	9.2
B-BX-25.4-50	BK7	1.00"	50.6	49.6	50.8	2.0	5.2
B-BX-25.4-75	BK7	1.00"	76.6	74.4	76.3	2.0	4.1
B-BX-25.4-100	BK7	1.00"	102.4	99.3	101.8	2.0	3.6
B-BX-25.4-200	BK7	1.00"	205.6	198.5	203.5	3.0	3.8
B-BX-25.4-500	BK7	1.00"	514.6	495.7	508.2	4.0	4.3
B-BX-38.1-38	BK7	1.50"	37.0	37.8	38.7	2.0	12.6
B-BX-38.1-50	BK7	1.50"	49.3	49.6	50.9	2.0	9.7
B-BX-38.1-100	BK7	1.50"	102.1	99.2	101.7	2.0	5.9
B-BX-38.1-500	BK7	1.50"	1514.6	495.8	508.3	4.0	4.7
B-BX-50.8-50	BK7	2.00"	49.3	50.4	51.6	2.0	16.1
B-BX-50.8-100	BK7	2.00"	101.6	99.2	101.6	2.0	8.5
B-BX-50.8-150	BK7	2.00"	153.4	148.8	152.5	4.0	8.1
B-BX-50.8-200	BK7	2.00"	205.2	198.3	203.3	5.0	8.1
B-BX-50.8-500	BK7	2.00"	514.6	495.2	507.7	5.0	6.3
B-BX-50.8-1000	BK7	2.00"	1029.8	991.6	1016.7	2.0	2.6



Specifications

Diameter Tolerance:	+0/-0.005"
Thickness Tolerance:	±0.010"
Concentricity:	< 3 arc min.
Clear Aperture:	> 85% of diameter
Radius Tolerance	± 0.5%
Surface Figure:	λ/10 at 632.8nm
Surface Quality:	10-5 scratch-dig

Part No.	Material	Diameter	R (mm)	Focal Length (mm)			Thickness (mm)	
				248nm	532nm	1064nm	ET	CT
UF-BX-2.0-2	UV Fused Silica	2.0mm	1.644	1.81	2.0	2.1	0.3	1.0
UF-BX-2.0-3	UV Fused Silica	2.0mm	3.597	2.7	3.0	3.1	0.3	0.6
UF-BX-4.0-4	UV Fused Silica	4.0mm	3.35	3.6	4.0	4.1	0.5	1.8
UF-BX-4.0-6	UV Fused Silica	4.0mm	5.321	5.4	6.0	6.2	0.5	1.3
UF-BX-4.0-8	UV Fused Silica	4.0mm	7.145	7.2	8.0	8.2	0.5	1.1
UF-BX-4.0-10	UV Fused Silica	4.0mm	9.036	9.1	10.0	10.2	0.5	1.0
UF-BX-12.7-15	UV Fused Silica	0.5"	14.4	15.2	16.7	17.1	2.0	5.9
UF-BX-12.7-25	UV Fused Silica	0.5"	25.2	25.8	27.9	28.6	2.0	3.5
UF-BX-12.7-50	UV Fused Silica	0.5"	51.1	51.2	55.6	56.9	2.0	2.7
UF-BX-12.7-100	UV Fused Silica	0.5"	102.6	102.8	111.7	114.5	2.0	2.4
UF-BX-12.7-200	UV Fused Silica	0.5"	205.7	205.9	223.7	229.2	2.0	2.1
UF-BX-25.4-25	UV Fused Silica	1.0"	23.9	25.4	27.5	28.1	2.0	9.3
UF-BX-25.4-50	UV Fused Silica	1.0"	50.6	51.3	55.8	57.2	2.0	5.2
UF-BX-25.4-75	UV Fused Silica	1.0"	76.6	77.0	83.8	85.9	2.0	4.1
UF-BX-25.4-100	UV Fused Silica	1.0"	102.4	102.3	111.6	114.2	2.0	3.6
UF-BX-25.4-200	UV Fused Silica	1.0"	205.6	201.4	223.7	228.9	3.0	3.8
UF-BX-27.9-50	UV Fused Silica	27.9mm	44.6	45.8	49.9	51.1	4.0	8.5
UF-BX-27.9-60	UV Fused Silica	27.9mm	56.1	57.1	62.2	63.7	4.1	7.6
UF-BX-27.9-75	UV Fused Silica	27.9mm	67.9	68.8	75.0	76.7	4.0	6.9
UF-BX-27.9-100	UV Fused Silica	27.9mm	90.8	91.6	99.6	102.1	4.0	6.2
UF-BX-27.9-125	UV Fused Silica	27.9mm	113.0	114.1	124.0	127.0	6.0	7.7
UF-BX-27.9-150	UV Fused Silica	27.9mm	136.0	136.9	149.0	152.4	5.3	6.7
UF-BX-27.9-200	UV Fused Silica	27.9mm	180.9	182.1	198.0	202.6	7.4	8.5
UF-BX-27.9-250	UV Fused Silica	27.9mm	228.0	228.7	248.3	254.4	4.0	5.0
UF-BX-38.1-50	UV Fused Silica	1.5"	49.3	49.5	53.8	55.0	3.0	10.7
UF-BX-38.1-100	UV Fused Silica	1.5"	102.1	102.8	111.9	114.6	2.0	5.6
UF-BX-38.1-1000	UV Fused Silica	1.5"	1029.8	1030.4	117.8	1145.4	5.0	5.4
UF-BX-50.8-50	UV Fused Silica	2.0"	48.9	51.1	55.6	56.9	0.5	14.7
UF-BX-50.8-100	UV Fused Silica	2.0"	103.1	104.5	113.6	116.4	3.0	9.4
UF-BX-50.8-150	UV Fused Silica	2.0"	153.4	154.6	167.7	171.8	3.0	7.1
UF-BX-50.8-200	UV Fused Silica	2.0"	205.2	206.1	224.0	229.0	5.0	8.2
UF-BX-50.8-500	UV Fused Silica	2.0"	514.6	515.3	559.3	572.4	5.0	5.4
UF-BX-50.8-1000	UV Fused Silica	2.0"	1029.8	1030.3	117.7	1145.3	5.0	5.6



Specifications

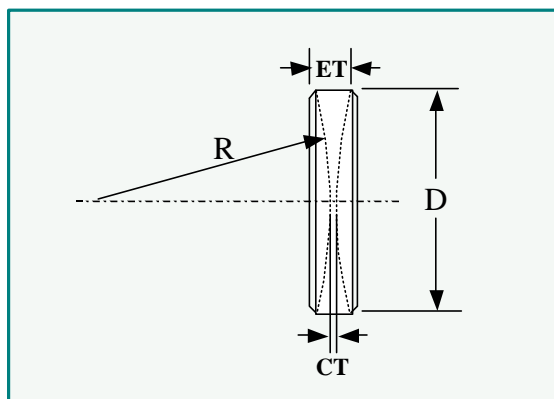
Diameter Tolerance:	+0/-0.005
Thickness Tolerance:	±0.010"
Parallelism:	< 3 arc sec.
Clear Aperture:	> 85% of diameter
Focal Length Tolerance	± 0.5 %
Surface Figure:	λ/10 at 632.8nm
Surface Quality:	10-5 scratch-dig

- Minimum focal spot from singlet design

Part No.	Material	Diameter	Focal Length (mm)			Thickness (mm)	
			248nm	532nm	1064nm	ET	CT
B-BB-12.7-25	BK7	0.50"		24.4	25.0	2.3	4.0
B-BB-12.7-38	BK7	0.50"		39.2	39.5	3.0	4.0
B-BB-25.4-50	BK7	1.00"		50.2	51.5	0.8	4.0
B-BB-25.4-100	BK7	1.00"		100.8	103.3	2.4	4.0
B-BB-25.4-200	BK7	1.00"		198.4	203.4	3.2	4.0
UF-BB-12.7-25	UV Fused Silica	0.50"	25.1	27.5	28.2	2.3	4.0
UF-BB-12.7-38	UV Fused Silica	0.50"	38.6	43.1	44.2	3.0	4.0
UF-BB-25.4-50	UV Fused Silica	1.00"	51.9	56.6	58.0	0.8	4.0
UF-BB-25.4-100	UV Fused Silica	1.00"	104.5	113.6	116.4	2.4	4.0
UF-BB-25.4-200	UV Fused Silica	1.00"	205.9	223.6	229.1	3.2	4.0

- Other sizes are available upon request.
- Lattice's Best Form lens gives approximately 8% smaller spot size than regular plano-convex lens and the spot size is given as

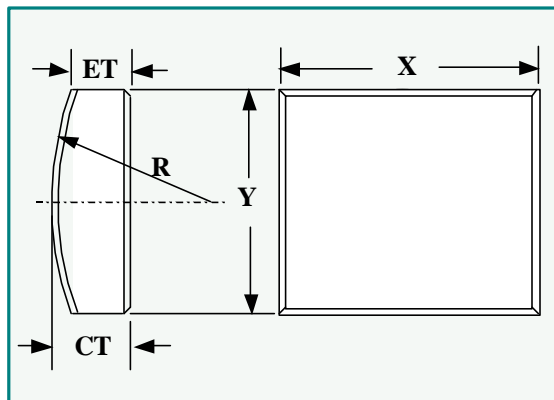
$$D_{\text{spot}} = \frac{D^3}{f^2} \left[\frac{n^2 + \frac{6}{7} \left[\left(\frac{n+2}{n} \right) \left(\frac{6}{7} \right) - 2n - 1 \right]}{32(n-1)^2} \right]$$



Specifications

Diameter Tolerance:	+0/-0.005"
Thickness Tolerance:	±0.010"
Concentricity:	< 3 arc min.
Clear Aperture:	> 85% of diameter
Radius Tolerance:	± 0.5%
Surface Figure:	λ/10 at 632.8nm
Surface Quality:	10-5 scratch-dig

BK7	UV Fused Silica	R (mm)	Nominal f (mm)	CT (mm)
B-BC-12.7-10.8	UF-BC-12.7-10.8	10.8	-10	2
B-BC-25.4-26.1	UF-BC-25.4-26.1	26.1	-25	2
B-BC-25.4-51.8	UF-BC-25.4-51.8	51.8	-50	2
B-BC-25.4-103.4	UF-BC-25.4-103.4	103.4	-100	2
B-BC-25.4-257.9	UF-BC-25.4-257.9	257.9	-250	2
B-BC-25.4-515.8	UF-BC-25.4-515.8	515.8	-500	3
B-BC-25.4-1030.5	UF-BC-25.4-1030.5	1030.5	-1000	3
B-BC-38.1-51.8	UF-BC-38.1-51.8	51.8	-50	2
B-BC-38.1-103.4	UF-BC-38.1-103.4	103.4	-100	2
B-BC-38.1-257.9	UF-BC-38.1-257.9	257.9	-250	2
B-BC-38.1-515.8	UF-BC-38.1-515.8	515.8	-500	5
B-BC-38.1-1030.5	UF-BC-38.1-1030.5	1030.5	-1000	7
B-BC-50.8-103.4	UF-BC-50.8-103.4	103.4	-100	2
B-BC-50.8-257.9	UF-BC-50.8-257.9	257.9	-250	5
B-BC-50.8-515.8	UF-BC-50.8-515.8	515.8	-500	7
B-BC-50.8-1030.5	UF-BC-50.8-1030.5	1030.5	-1000	7



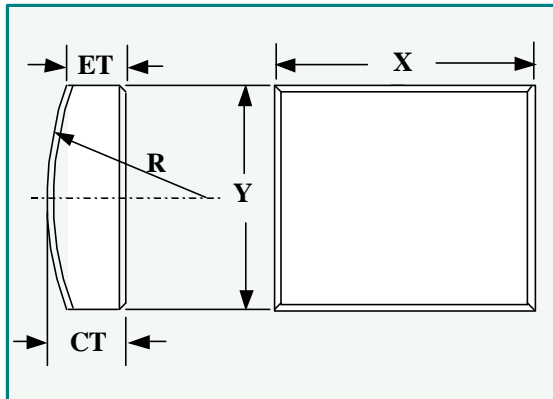
Specifications

Diameter Tolerance:	+0/-0.005"
Thickness Tolerance:	±0.010"
Concentricity:	< 3 arc min.
Clear Aperture:	> 85% of diameter
Focal Length Tolerance:	± 0.5%
Surface Figure:	λ/2 for Y-direction λ/4 for X-direction
Surface Quality:	20-10 scratch-dig

Part No.	Material	X (mm)	Y (mm)	R (mm)	f* (mm)	ET (mm)	CT (mm)
B-CX-0503-10	BK7	12.7	6.35	5.1	10	3.0	4.1
B-CX-1003-6	BK7	25.4	6.35	3.31	6.35	3.0	5.4
B-CX-1005-13	BK7	25.4	12.7	6.57	12.7	3.0	7.9
B-CX-1005-20	BK7	25.4	12.7	9.82	19.1	3.0	5.3
B-CX-1010-50	BK7	25.4	25.4	26.3	50.8	3.0	6.4
B-CX-1010-100	BK7	25.4	25.4	51.7	100	3.0	4.6
B-CX-1010-500	BK7	25.4	25.4	258.5	500	3.0	3.3
B-CX-1010-1000	BK7	25.4	25.4	517.0	1000	3.0	3.2
B-CX-2010-25	BK7	50.8	25.4	13.1	25.4	3.0	12.8
B-CX-2010-38	BK7	50.8	25.4	19.7	38.1	3.0	7.6
B-CX-2010-50	BK7	50.8	25.4	26.3	50.8	3.0	6.3
B-CX-2010-76	BK7	50.8	25.4	39.4	76.2	3.0	5.1
B-CX-2010-100	BK7	50.8	25.4	51.7	100	3.0	4.6
B-CX-2020-100	BK7	50.8	50.8	51.7	100	3.0	9.7
B-CX-2020-200	BK7	50.8	50.8	103.4	200	3.0	6.2
B-CX-2020-500	BK7	50.8	50.8	258.5	500	3.0	4.3
B-CX-2020-1000	BK7	50.8	50.8	517.0	1000	3.0	3.7

* Nominal at 1064nm

- VUV CaF₂ cylindrical lenses are available upon request.



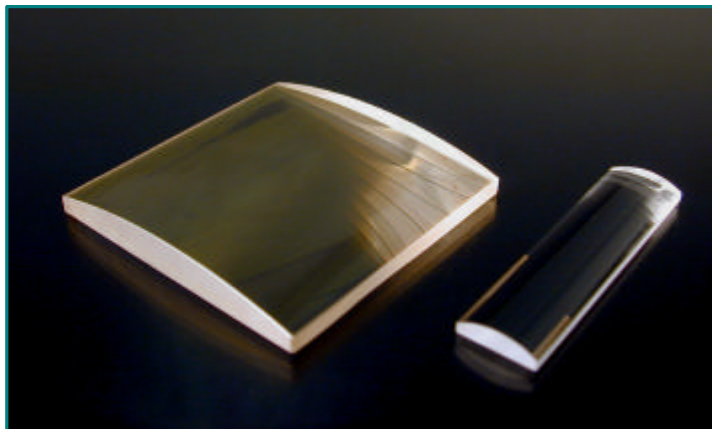
Specifications

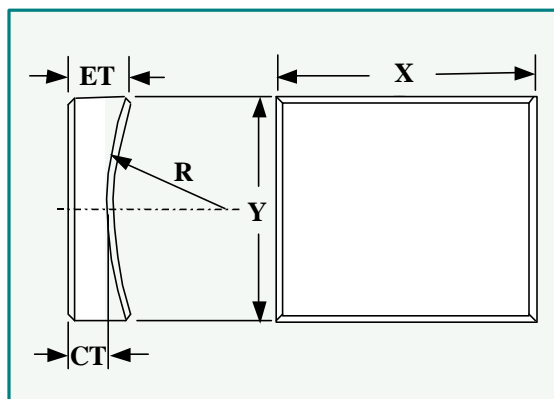
Diameter Tolerance:	+0/-0.005"
Thickness Tolerance:	±0.010"
Concentricity:	< 3 arc min.
Clear Aperture:	> 85% of diameter
Focal Length Tolerance	± 0.5%
Surface Figure:	λ/2 for Y-direction λ/4 for X-direction
Surface Quality:	20-10 scratch-dig

Part No.	Material	X (mm)	Y (mm)	R (mm)	f* (mm)	ET (mm)	CT (mm)
UF-CX-0503-10	UVFS	12.7	6.35	605	15	3.0	3.8
UF-CX-1010-50	UVFS	25.4	25.4	23.4	50.8	3.0	6.4
UF-CX-1010-100	UVFS	25.4	25.4	46.0	100	3.0	4.7
UF-CX-1010-500	UVFS	25.4	25.4	230.0	500	3.0	3.3
UF-CX-1010-1000	UVFS	25.4	25.4	460.0	1000	3.0	3.2
UF-CX-2010-38	UVFS	50.8	25.4	17.5	38.1	3.0	7.5
UF-CX-2010-50	UVFS	50.8	25.4	23.4	50.8	3.0	6.4
UF-CX-2010-76	UVFS	50.8	25.4	35.1	76.2	3.0	5.2
UF-CX-2010-100	UVFS	50.8	25.4	46.0	100	3.0	4.1
UF-CX-2020-100	UVFS	50.8	50.8	46.0	100	3.0	9.8
UF-CX-2020-200	UVFS	50.8	50.8	92.0	200	3.0	6.6
UF-CX-2020-500	UVFS	50.8	50.8	230.0	500	3.0	3.7
UF-CX-2020-1000	UVFS	50.8	50.8	460.0	1000	3.0	3.2

* Nominal at 1064nm

- VUV CaF₂ cylindrical lenses are available upon request.





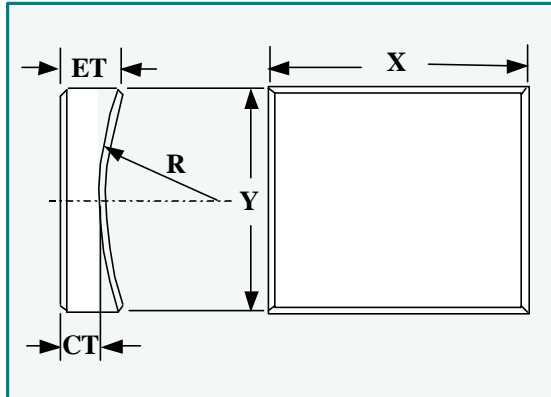
Specifications

Diameter Tolerance:	+0/-0.005"
Thickness Tolerance:	±0.010"
Concentricity:	< 3 arc min.
Clear Aperture:	> 85% of diameter
Focal Length Tolerance	± 0.5%
Surface Figure:	λ/2 for Y-direction λ/4 for X-direction
Surface Quality:	20-10 scratch-dig

Part No.	Material	X (mm)	Y (mm)	R (mm)	f* (mm)	ET (mm)	CT (mm)
B-CC-0503-10	BK7	12.7	6.35	5.1	-10	6.0	7.0
B-CC-1003-6	BK7	25.4	6.35	3.31	-6.35	6.0	7.4
B-CC-1005-13	BK7	25.4	12.7	6.57	-12.7	6.0	9.6
B-CC-1005-25	BK7	25.4	12.7	13.1	-19.1	6.0	7.4
B-CC-1010-50	BK7	25.4	25.4	26.3	-50.8	6.0	9.4
B-CC-1010-100	BK7	25.4	25.4	51.7	-100	6.0	7.6
B-CC-1010-500	BK7	25.4	25.4	258.5	-500	6.0	6.3
B-CC-1010-1000	BK7	25.4	25.4	517.0	-1000	6.0	6.2
B-CC-2010-25	BK7	50.8	25.4	13.1	-25.4	6.0	7.7
B-CC-2010-38	BK7	50.8	25.4	19.7	-38.1	6.0	10.7
B-CC-2010-50	BK7	50.8	25.4	26.3	-50.8	6.0	9.4
B-CC-2010-76	BK7	50.8	25.4	39.4	-76.2	6.0	8.2
B-CC-2010-100	BK7	50.8	25.4	51.7	-100	6.0	7.6
B-CC-2020-100	BK7	50.8	50.8	51.7	-100	6.0	12.7
B-CC-2020-200	BK7	50.8	50.8	103.4	-200	6.0	9.2
B-CC-2020-500	BK7	50.8	50.8	258.5	-500	6.0	7.3
B-CC-2020-1000	BK7	50.8	50.8	517.0	-1000	6.0	6.6

* Nominal at 1064nm

- VUV CaF₂ cylindrical lenses are available upon request.



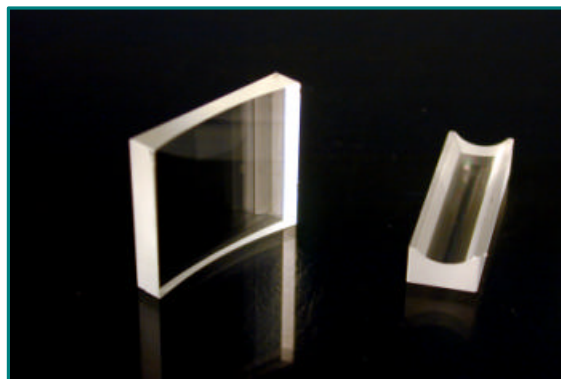
Specifications

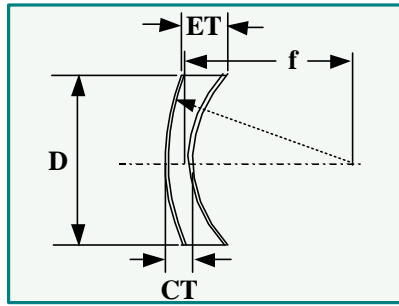
Diameter Tolerance:	+0/-0.005"
Thickness Tolerance:	±0.010"
Concentricity:	< 3 arc min.
Clear Aperture:	> 85% of diameter
Focal Length Tolerance	± 0.5%
Surface Figure:	λ/2 for Y-direction λ/4 for X-direction
Surface Quality:	20-10 scratch-dig

Part No.	Material	X	Y	R	f*	ET	CT
UF-CC-0503-10	UVFS	12.7	6.35	4.6	-10	3.0	4.1
UF-CC-1010-50	UVFS	25.4	25.4	23.4	-50.8	3.0	6.5
UF-CC-1010-100	UVFS	25.4	25.4	46.0	-100	3.0	4.7
UF-CC-1010-500	UVFS	25.4	25.4	230.0	-500	3.0	3.3
UF-CC-1010-1000	UVFS	25.4	25.4	460.0	-1000	3.0	3.2
UF-CC-2010-38	UVFS	50.8	25.4	17.5	-38.1	3.0	7.8
UF-CC-2010-50	UVFS	50.8	25.4	23.4	-50.8	3.0	6.5
UF-CC-2010-76	UVFS	50.8	25.4	35.1	-76.2	3.0	5.3
UF-CC-2010-100	UVFS	50.8	25.4	46.0	-100	3.0	4.7
UF-CC-2020-100	UVFS	50.8	50.8	46.0	-100	4.5	11.6
UF-CC-2020-200	UVFS	50.8	50.8	92.0	-200	4.5	7.93
UF-CC-2020-500	UVFS	50.8	50.8	230.0	-500	4.5	5.9
UF-CC-2020-1000	UVFS	50.8	50.8	460.0	-1000	4.5	4.6

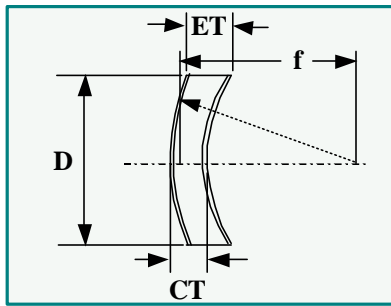
* Nominal at 1064nm

- VUV CaF₂ cylindrical lens are available upon request.

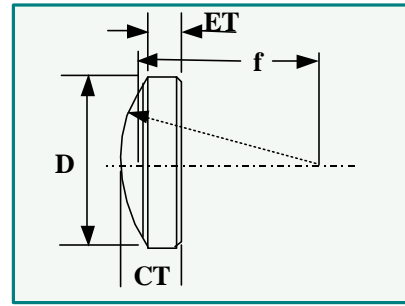




Negative Meniscus Lens



Positive Meniscus Lens



Plano-Convex Lens

Specifications

Diameter Tolerance:	+0/-0.005"
Thickness Tolerance:	±0.010"
Concentricity:	< 5 arc min.
Clear Aperture:	> 85% of diameter
Focal Length Tolerance	± 1%
Surface Quality:	40-20 scratch-dig

ZnSe Negative Meniscus Lenses

Part No.	Material	Diameter	f*	CT	ET
ZE-NM-1517-38	ZnSe	1.5000"	-38mm	0.169"	0.331"
ZE-NM-1515-75	ZnSe	1.5000"	-75mm	0.150"	0.220"
ZE-NM-1520-125	ZnSe	1.5000"	-125mm	0.197"	0.236"

ZnSe Positive Meniscus Lenses

Part No.	Material	Diameter	f*	CT	ET
ZE-PM-1119-38.1	ZnSe	1.10"	38.1mm	0.191"	0.118"
ZE-PM-1116-63.5	ZnSe	1.10"	63.5mm	0.161"	0.118"
ZE-PM-1114-127.0	ZnSe	1.10"	127.0mm	0.141"	0.118"
ZE-PM-1526-38.1	ZnSe	1.50"	38.1mm	0.260"	0.118"
ZE-PM-1520-63.5	ZnSe	1.50"	63.5mm	0.201"	0.118"
ZE-PM-1516-127.0	ZnSe	1.50"	127.0mm	0.157"	0.118"
ZE-PM-2019-127.0	ZnSe	2.00"	127.0mm	0.194"	0.118"
ZE-PM-2014-203.2	ZnSe	2.00"	203.2mm	0.181"	0.138"

ZnSe Plano-Convex Lenses

Part No.	Material	Diameter	f*	ET	CT
ZE-PX-1108-127.0	ZnSe	1.10"	127.0mm	0.079"	0.100"
ZE-PX-1108-190.0	ZnSe	1.10"	190.0mm	0.079"	0.093"
ZE-PX-1508-63.5	ZnSe	1.50"	63.5mm	0.079"	0.161"
ZE-PX-1508-127.0	ZnSe	1.50"	127.0mm	0.079"	0.118"
ZE-PX-1508-254.0	ZnSe	1.50"	254.0mm	0.079"	0.098"
ZE-PX-2010-127.0	ZnSe	2.00"	127.0mm	0.098"	0.169"
ZE-PX-2010-200.0	ZnSe	2.00"	200.0mm	0.098"	0.146"

- Other ZnSe lenses and Germanium lenses are also available upon request.