

## Custom made Fiber Bragg Gratings order information

**O/E Land Inc.** has more than one decade of solid experience in designing and fabricating Fiber Bragg Gratings for various industrial applications. Supported by our strong R&D team, these FBG's are made at our advanced fabrication facility situated in Montreal, Canada. We also offer testing services for newly developed fibers at an unbeatable price.

### Features

- Custom specification
- Large wavelength range
- Precise center wavelength matching

### Application

- Telecommunication
- Biomedical
- Industrial
- Research

### Specifications

Parameter	Value		Unit
<b>Model</b>	<b>OEUBFG Uniform</b>	<b>OECEFBG Chirp</b>	-
Center Wavelength	450 - 2800		nm
CWL Tolerance	$\pm \geq 0.05$		nm
Bandwidth	0.01 - 4	0.5 - 100	nm
FWHM tolerance	$\pm \geq 0.05$	$\pm \geq 0.5$	nm
Reflectivity	1 - >99.9		%
% Tolerance	standard $\pm 5\%$ , min 1%		
Power handling	* 500		mW
Fiber Type	SMF, PMF, Double Cladding, Active Fiber, ATN fiber, LMA fiber		-
Packaging	None, Athermal, Stainless Steel		-
Pigtail Type	Bare Fiber, 900 um Tubbing, 3 mm Tubbing		-
Side lobe suppression	10-35		dB
Fiber Length	**custom length		

\*Indicated power handling can be increased up to 10 W with low index Recoating

\*\*If not specified standard is 1m

Other specifications are available upon request

All specifications are subject to change without notice

## Order Information

Please use this Product number to order uniform and chirped gratings.

OEUFBG / OEFCBG - AA - aa - BB - bb - CC - cc

Code	Meaning	Unit	Note
AA	Center Wavelength	nm	
aa	CW +/-	nm	
BB	Bandwidth	nm	
bb	BW +/-	nm	
CC	Reflectivity	%	
cc	R+/-	%	0 means >

You can also specify additional options from this list when ordering.

Specification	Options	If not specified
Recoating	None Acrylate Low index	None
Package	None Steel tubing High power Athermal	None
Connectors	None FC/PC FC/APC ST/PC ST/APC LC/PC LC/APC	None
Pigtail type	Bare fiber 900µm tubing 3mm cable	Bare fiber
Fiber length	Custom	~ 1m
SLSR	Custom	~ 10dB

## Sample Orders

### Example 1

If I want the following specification for my FBG:

Uniform FBG

Center wavelength = 1550+/-0.5 nm

Bandwidth = 0.5+/-0.2 nm

Reflectivity > 90 %

Acrylate recoating

FC/APC connectors

900µm tubing

I can order giving the following PN and information:

OEUFBG - 1550 - 0.5 - 0.5 - 0.2 - 90 - 0

Acrylate

FC/APC

900µm tubing

### Example 2

If I want the following specification for my FBG:

Chirped FBG

Center wavelength = 1064+/-1 nm

Bandwidth = 10+/-1 nm

Reflectivity = 50+/-5 %

SLSR > 30 dB

I can order giving the following PN and information:

OECFBG - 1064 - 1 - 10 - 1 - 50 - 5

SLSR > 30 dB

## High-Power Fiber Bragg Gratings

These High-Power Fiber Bragg Gratings (HP-FBGs) are specially designed and developed to use as cavity mirrors in high-power fiber laser systems. **O/E Land Inc.** has more than one decade of solid experience in designing and fabricating FBGs for various industrial applications. Supported by our strong R&D team, these HP-FBGs are made at our advanced fabrication facility at LaSalle, Quebec. We deliver HP-FBGs with custom specifications for an unbeatable price.

### Features

- Custom specification
- Large wavelength range
- Precise center wavelength matching
- High power handling

### Application

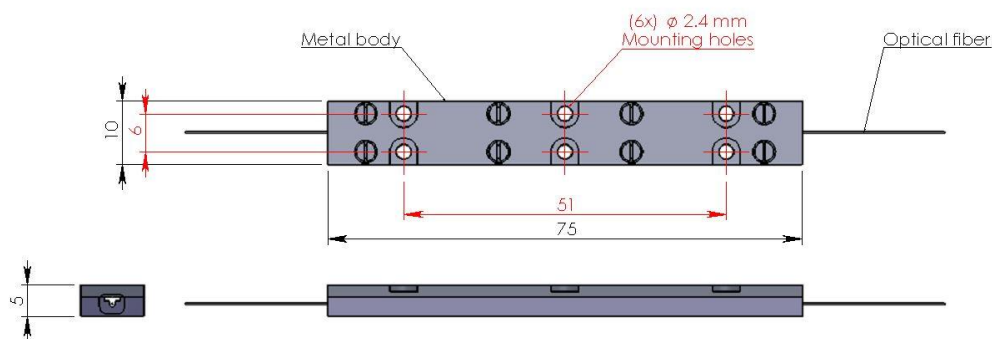
- High-power fiber laser
- Biomedical
- Industrial
- Non-linear optics

### Specifications

Parameter	Value		Unit
	HR-FBG	OC-FBG	
Model	HR-FBG	OC-FBG	-
Center wavelength	900-2400		nm
CWL mismatch	≤0.1		nm
Reflectivity	>99	5-99	%
Power handling (pump)	Up to 1000*		W
Fiber type	SMF, PMF, DCF, LMA		-
Packaging	High-power 75×10×5		mm

\*Depends on grating length. Low index recoating is highly recommended for power > 5W. We cannot offer warranty for most high power FBGs. Other specifications are available upon request

All specifications are subject to change without notice



**Order Information**

**OEXFBGHP - XXXX.XX - XX.XX - XX.X**  
 U for uniform      Center      Bandwidth      Reflectivity  
 C for Chirped      Wavelength  
 - **XX**      - **XX**      - **XX.X**      - **XX**      - **XX**  
 Side lobe Suppression      Package      Pigtail      Connector      CWL Tolerance  
 - **XX**      - **XX**      - **XX**  
 FWHM Tolerance      Reflectivity Tolerance      Power handling

**Sample Orders**

**OECBGHP-1550-10-90-20-high power pkg-1-FC/APC-0.1-0.5-5-1**  
 -Chirped FBG @ 1550+/-0.1nm, FWHM: 10+/-0.5nm, Ref: 90+/-5%, High power package, 1m fiber length with FC/APC connectors and 1W power handling